



YLI ELECTRONIC

European type emergency release button with key

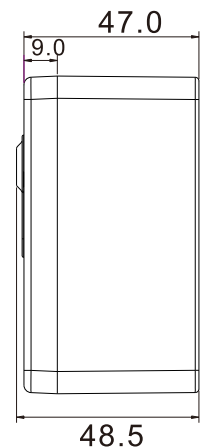
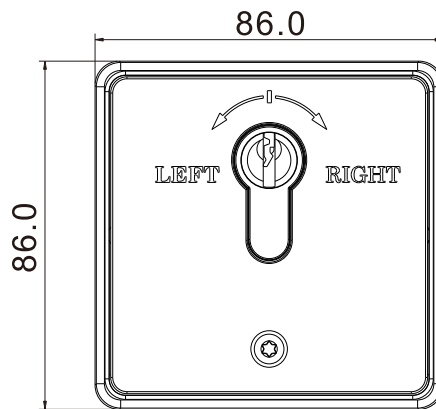
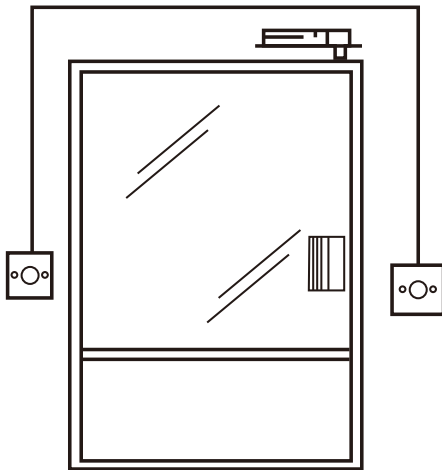


Model: YKS-851EN

Specification

- Size: 86Lx86Wx48.5H(mm)
- Finish: be finished with wire drawing
- Current rating: 5A/125VAC (max)
- Output contact: NO/NC/COM, NO/NC/COM
- Mechanical life: 500,000 tested
- Feature: Reset automatically, open & close(need order)
- Suitable for door: Hollow Door
- Safe Type: Weatherproof, defend and Duplicate the Key
- Operating temp: 10~+55(14-131F)
- Operating humidity:0-95% (non- condensing)
- Panel Material: Aluminium Panel
- Weight: 0.4kg

Wiring Diagram



Installation

