



YLI ELECTRONIC

Standard-type Electric Strike with Signal

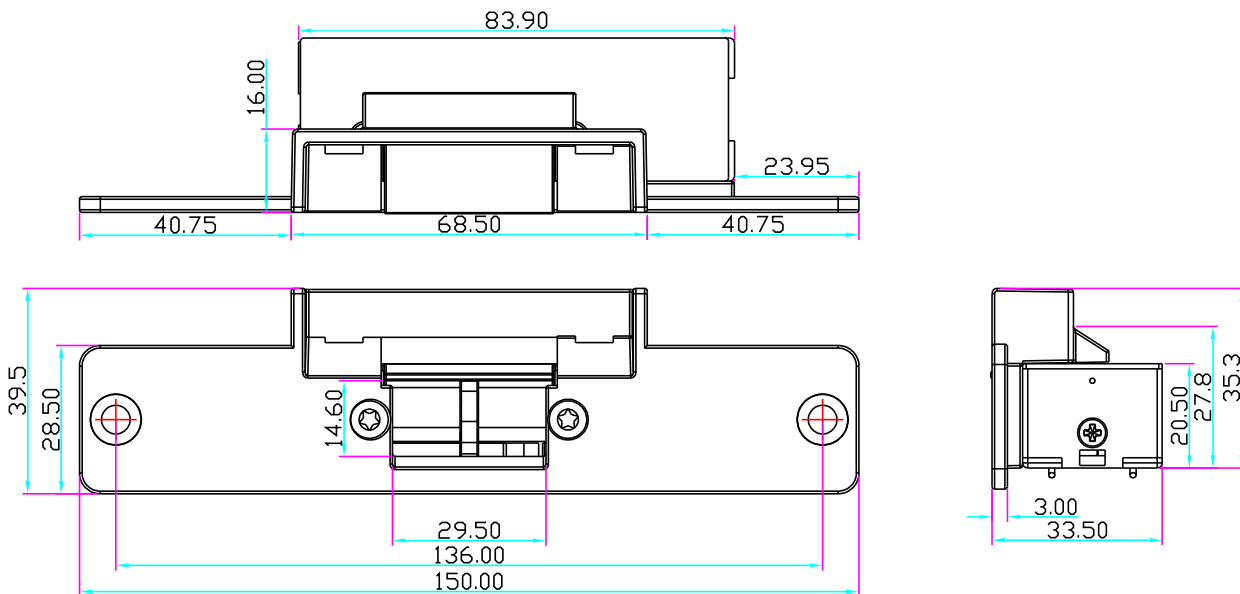
Model:YS-130NO/NC-S



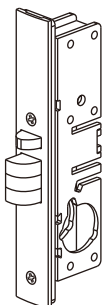
Specification

Size	150Lx39.5Wx33.5H(mm)
Voltage	DC12V(Default); DC24V(Order)
Current	12V/240mA; 24V/120mA
Feature	FailSecure(YS-130NO-S) FailSafe(YS-130NC-S)
Signal Output	NO/NC/COM
Suitable For	Wooden Door, Metal Door
Finishing	Electroplating
Weight	0.4kg

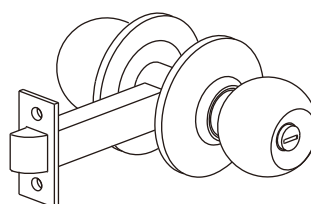
Diagram(unit:mm)



Options of Mechanical Lock

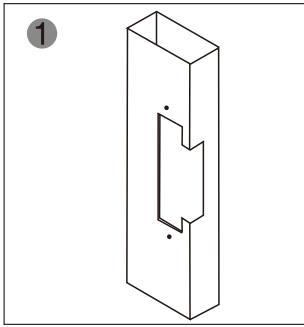


Mechanical Lock

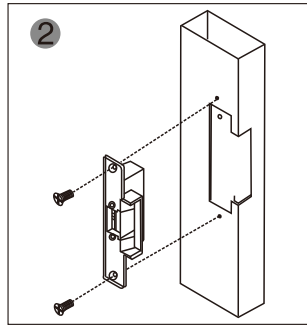


Knob lock

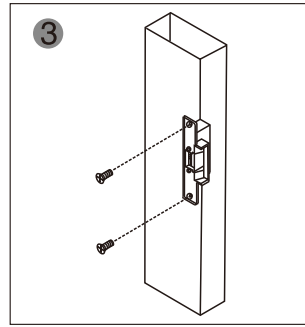
Installation



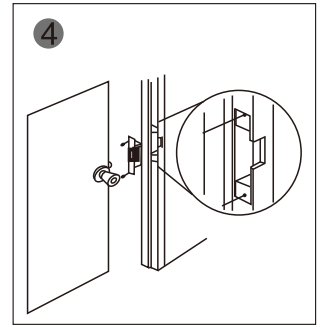
1 Cut hole according to the dimension of strike.



2 Assemble the lock and connect it to the power to test

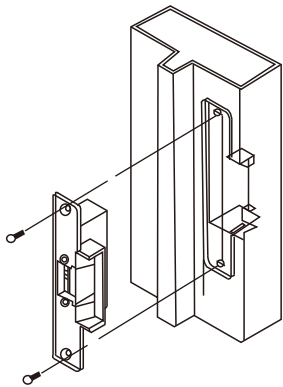


3 Fix the electric strike

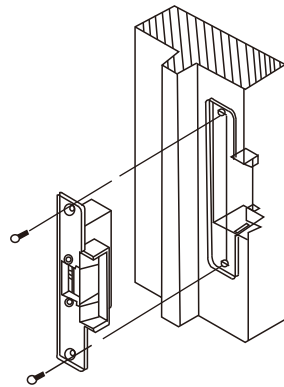


4 Finished

Suitable for



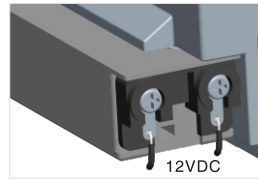
Metal Door Frame



Wooden Door Frame

Wiring instructions

- Black — +
 - Black — -
 - Green — NC
 - White — COM
 - Yellow — NO
- } N.O. contact output : closed status
 } Common terminal
 } N.C. contact output : closed status



Wire connection

