



European Type Electromechanical Lock

Model:YML-650A



YLI ELECTRONIC

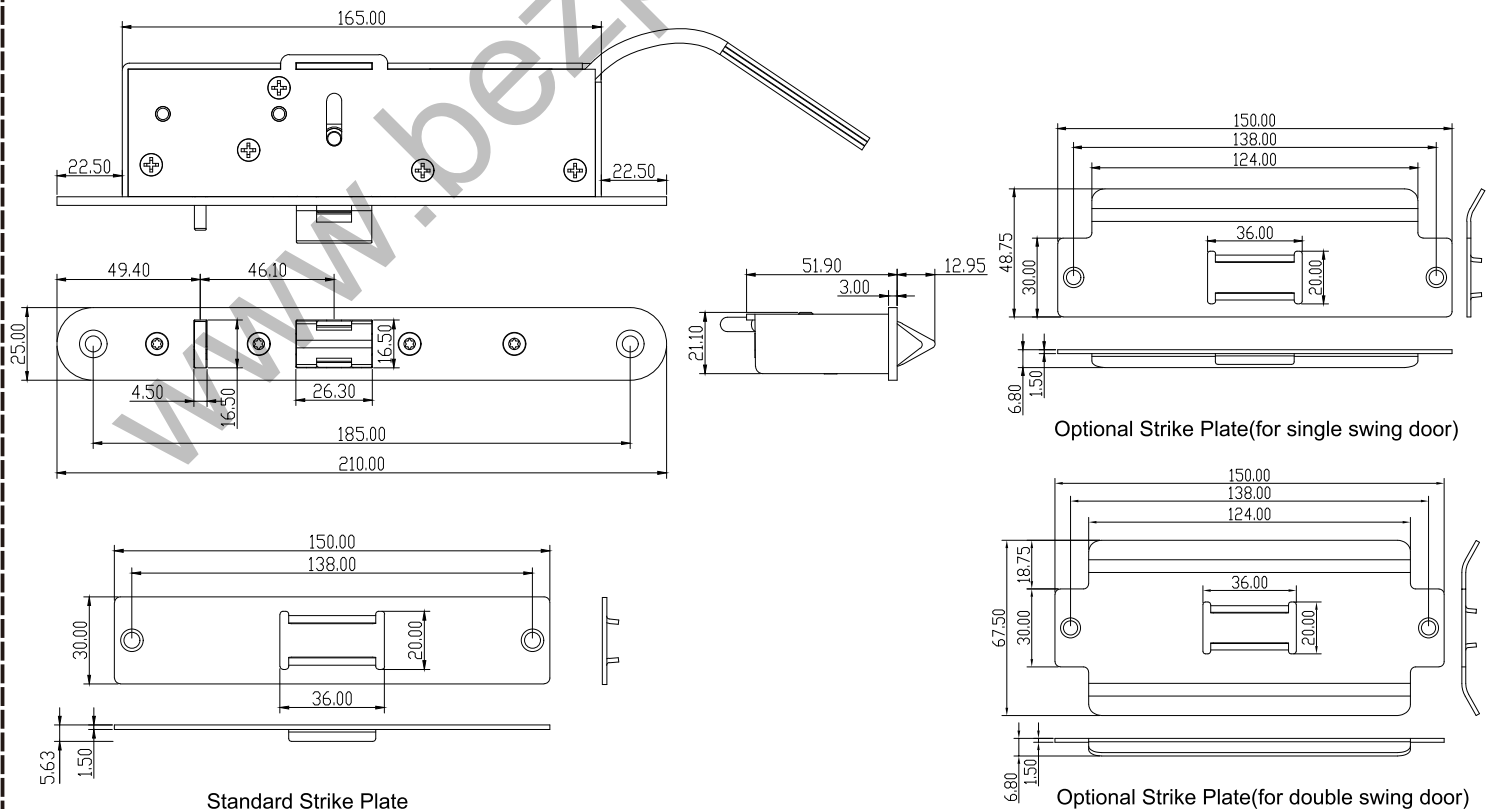
Parameters

Feature	Fail Safe/Fail Secure(Adjustable)
Face Plate	210Lx25Wx51.9H (mm)
Strike	Standard Strike Plate: 150Lx30Wx1.5H(mm); Optional Strike Plate(for single swing door):150Lx48.7Wx1.5H(mm); Optional Strike Plate(for double swing door):150Lx67.5Wx1.5H(mm)
Magnetic Valve	500000 times
Voltage	12~24VDC/AC
Current	≤300mA
Signal Output	Lock signal NC/COM/NO contact, the signal will take effect only when both conditions of closing and locking are met
Operating temp	(-20°C~+50°C)
Weight	0.8kg

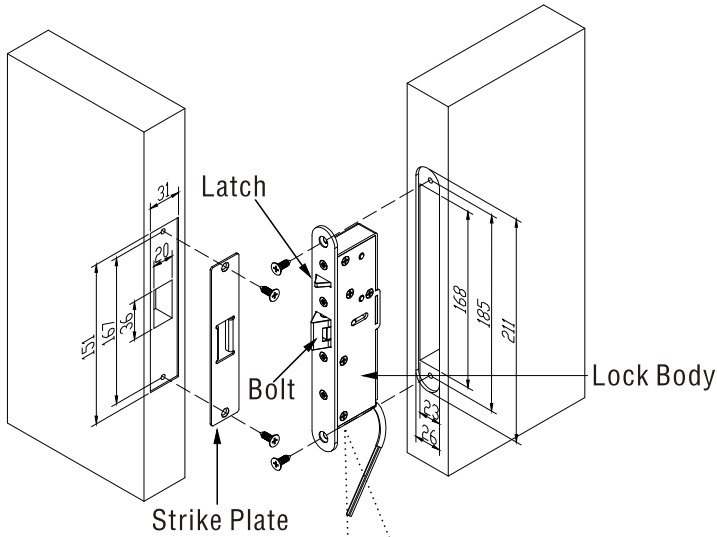
Standard Features

- 1** Suitable for single or double swing doors
- 2** Suitable for narrow-frame wooden doors and metal doors
- 3** Fail safe and fail secure mode adjustable
- 4** 304 stainless steel panel, stainless steel bolt withstands 1000lbs holding force
- 5** Vertical or horizontal installation
- 6** 304 stainless steel strike plate optional for single or double swing doors
- 7** With lock signal output

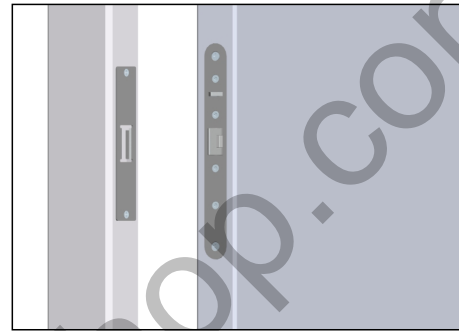
Dimensions (Unit:mm)



Installation



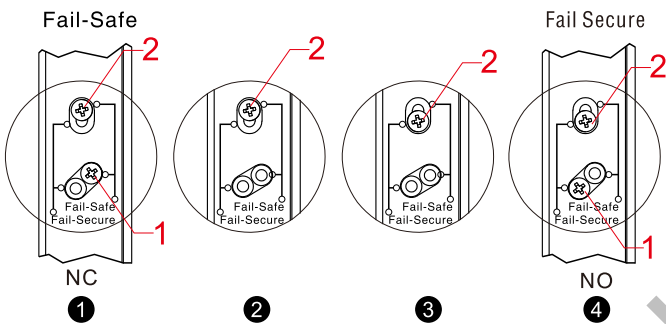
Installation on top



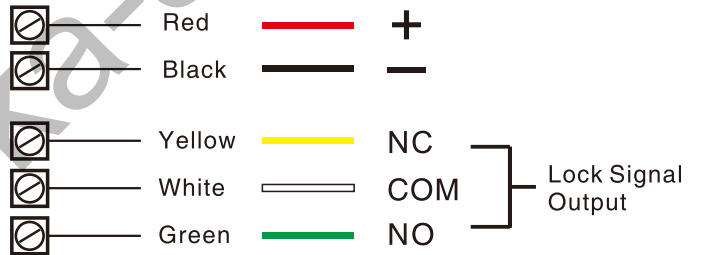
Side installation

Mode Switching

Pic 2: Unscrew 1 while loosen 2; Pic 3: sliding move screw 2
Pic: Tighten screw 1, 2, process finished



Wiring



! Tips:

Please loosen Screw 2 and move it slightly, do not take it out, or else it will make magnetic valve drop out of lock body.

Please follow steps on sticker while installing.

Wiring Diagram

