



YLI ELECTRONIC

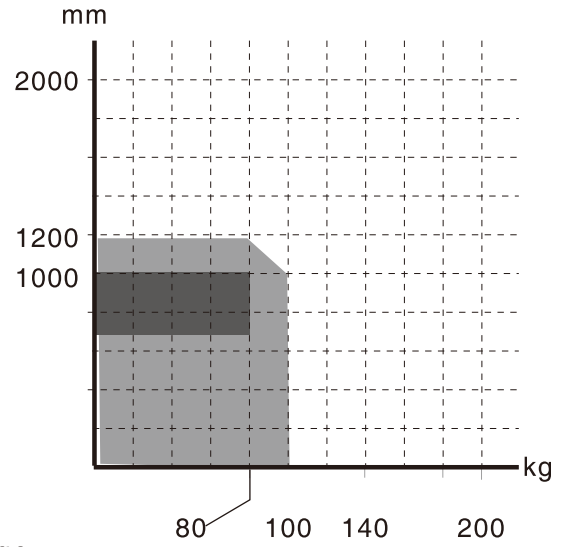
# Automatic Door Operator

Model: YAD-200SW(PULL)  
YAD-200SW(PUSH)



## Technical Parameters

- Voltage: AC110V-220V/±10%
- Power Consumption: 50W
- Opening Time: 3~7s/90°
- Hold open time: 1~30s adjustable
- Max. door frame depth: 220mm
- Door width: Min. 700mm
- Max. opening angle: 100°
- Environment Temperature: -20 ~ +50°C
- Protection class: IP12D
- Product weight: 6.5kg
- Dimension: L540xH95xW82mm



■ Suitable range  
■ Range limit

mm=Door width kg=Door weight

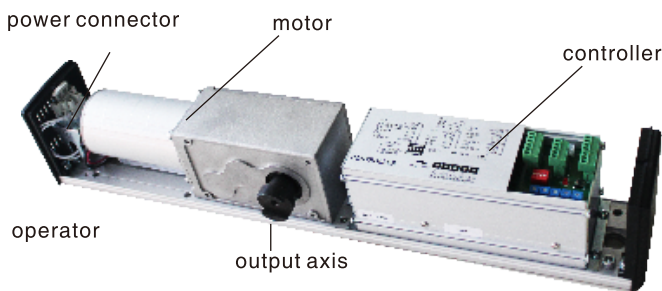
## Components



cover



pull arm(alternative)  
Inward opening



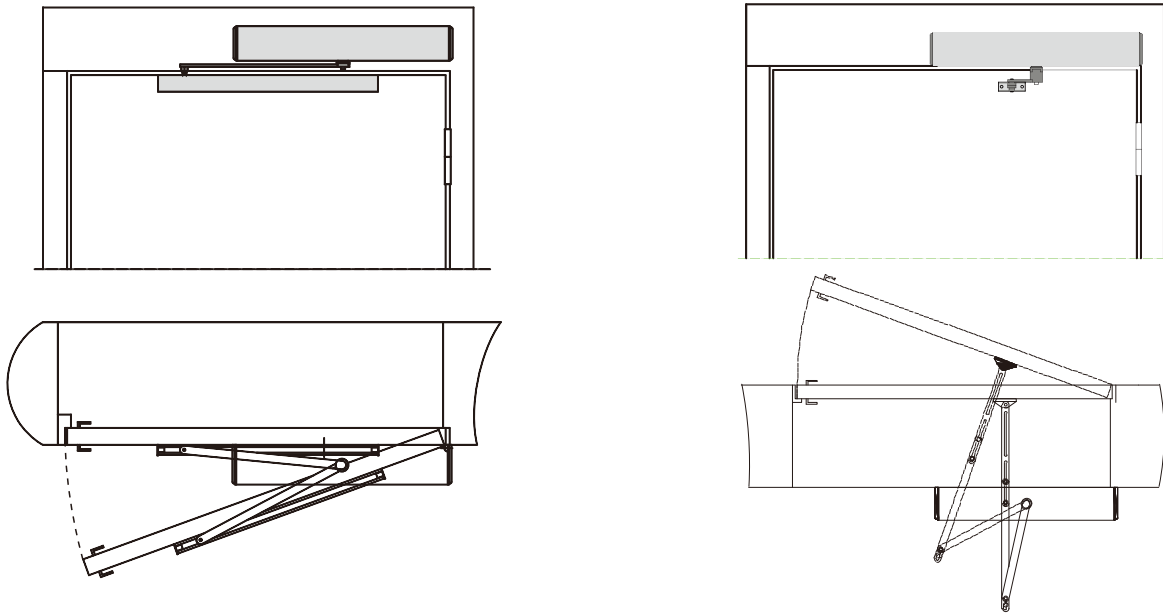
push arm(alternative)  
Outward opening

# Installation

## 3.1 Installation example

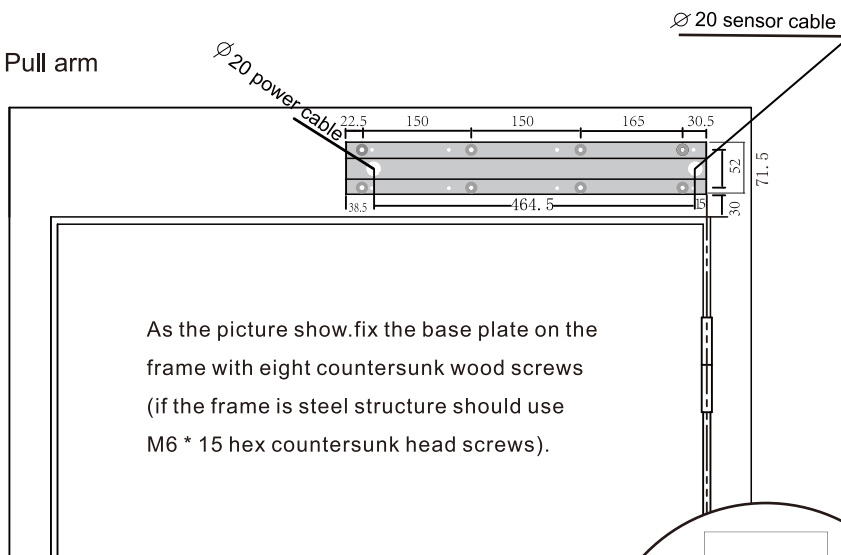
Choose pull arm: door leaf open toward inside (operator is inside)

Choose push arm: door leaf open toward outside (operator is inside)



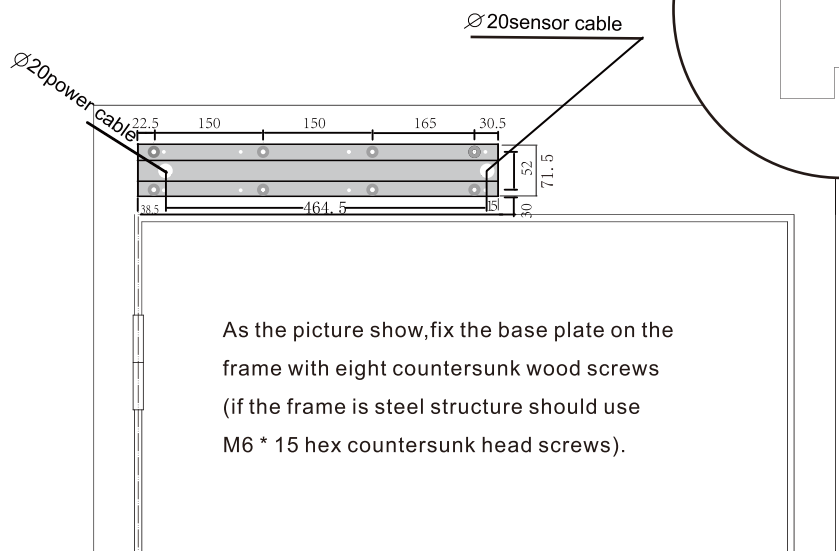
## 3.2 Installation of base plate

Pull arm



As the picture show, fix the base plate on the frame with eight countersunk wood screws (if the frame is steel structure should use M6 \* 15 hex countersunk head screws).

At door right

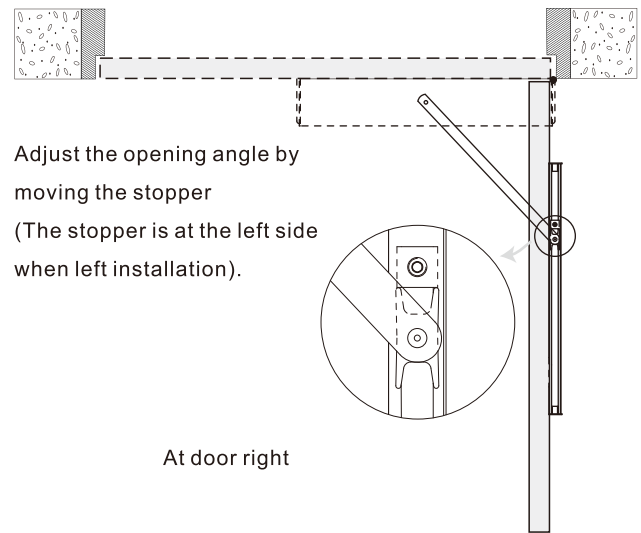
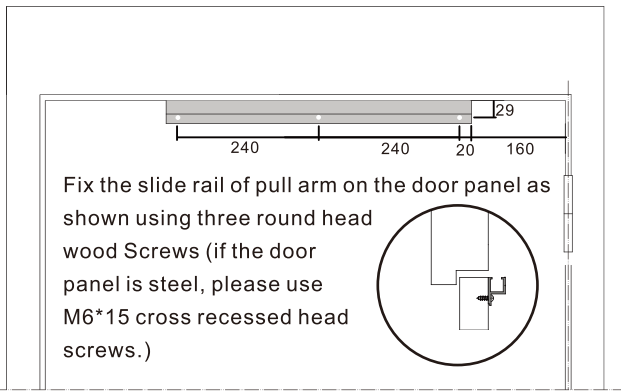


As the picture show, fix the base plate on the frame with eight countersunk wood screws (if the frame is steel structure should use M6 \* 15 hex countersunk head screws).

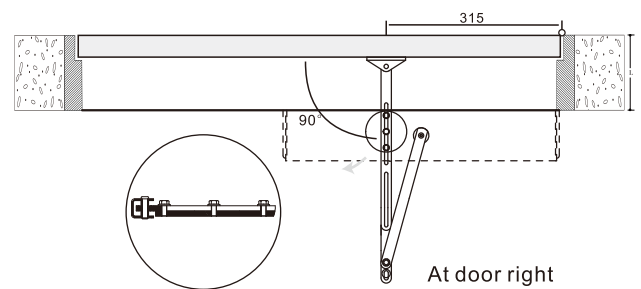
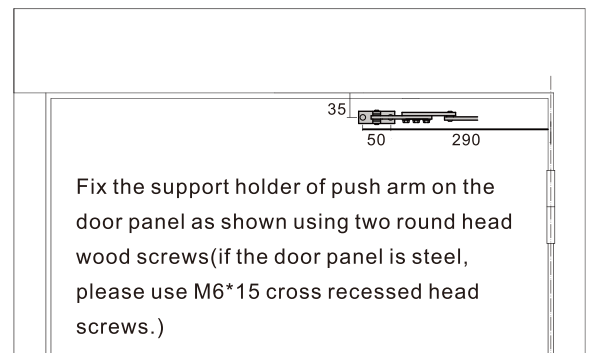
At door left

# Installation

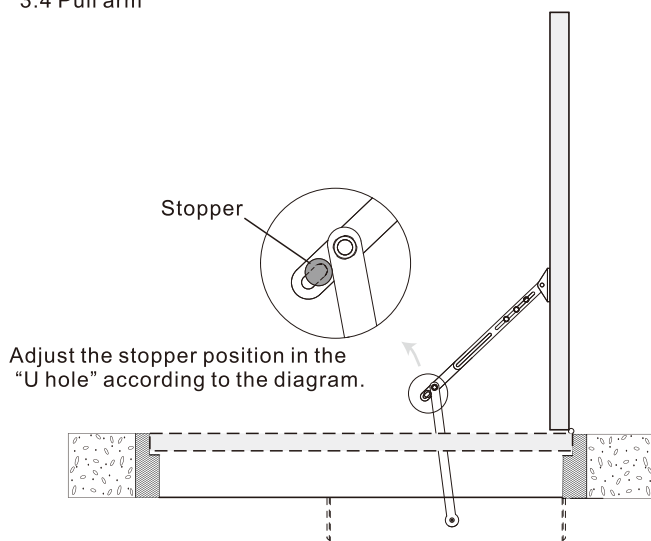
## 3.3 Pull arm



## 3.4 Pull arm

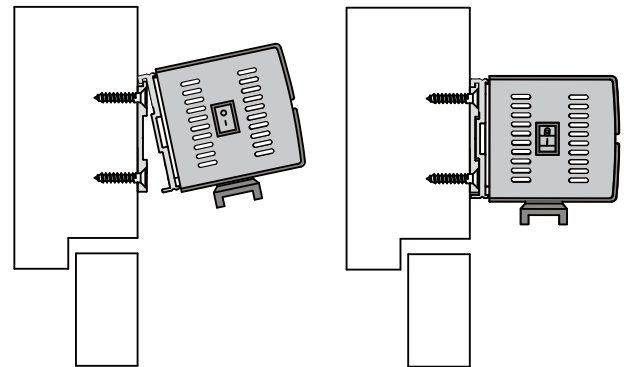


## 3.4 Pull arm

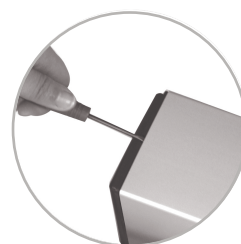
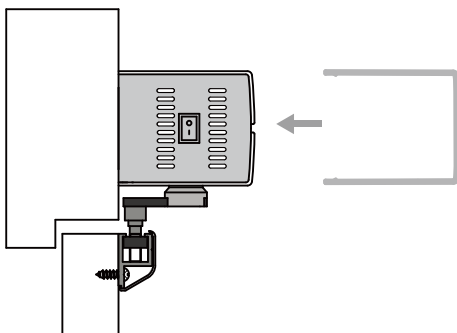


Loosen this three bolts and adjust the push arm length according to the door depth (L) until the angle between the push arm and door panel is 90°.

## 3.5 operation system

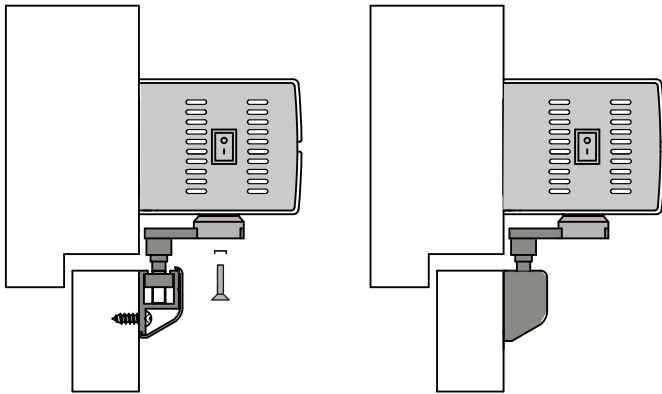


## 3.6 Cover

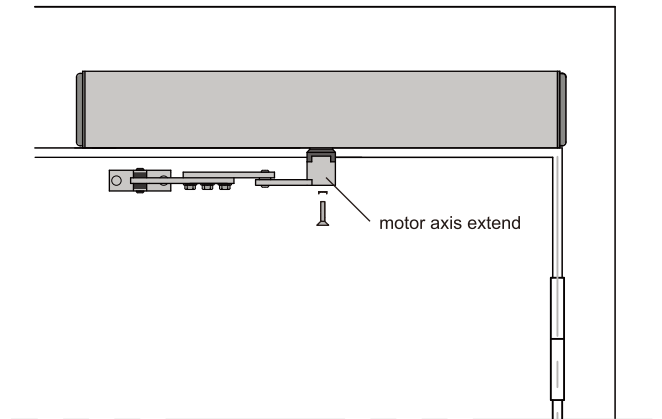


# Installation

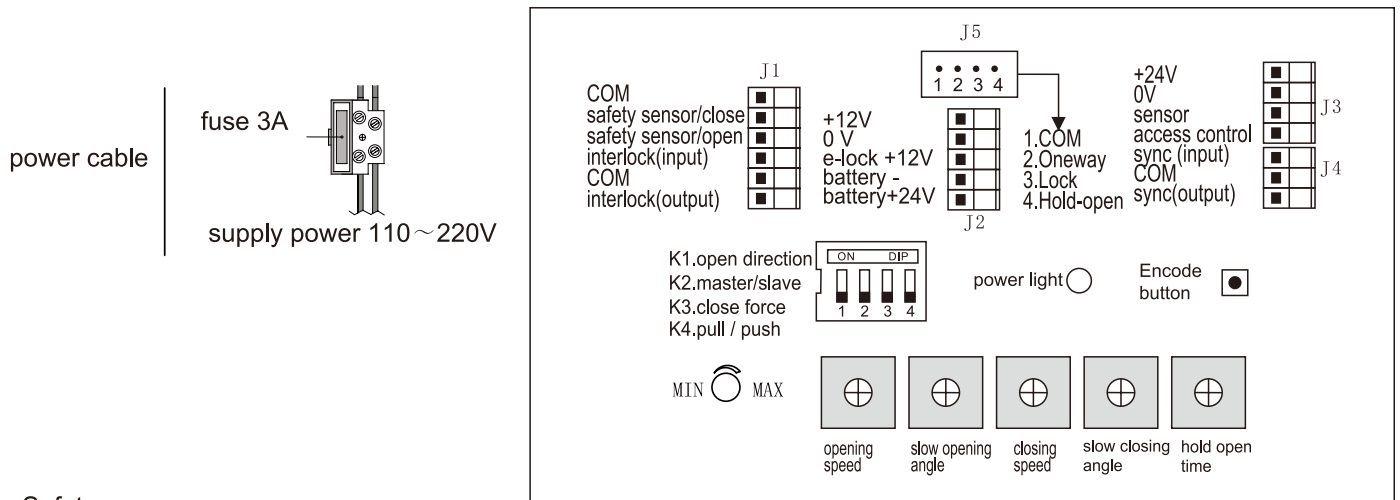
3.7 Connect the operation system and the pull arm



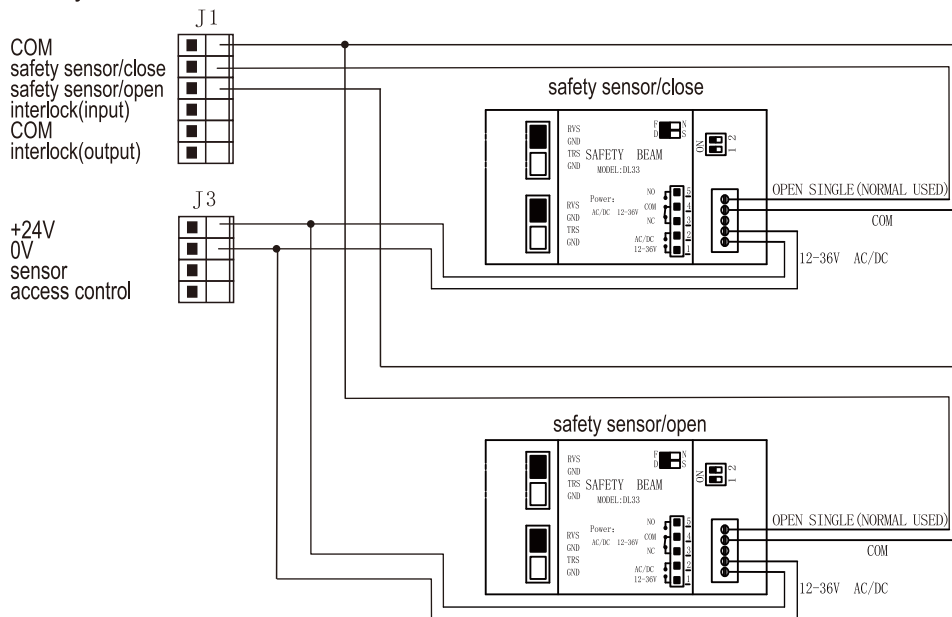
3.8 Connect the operation system and the push arm



# Electrical connection



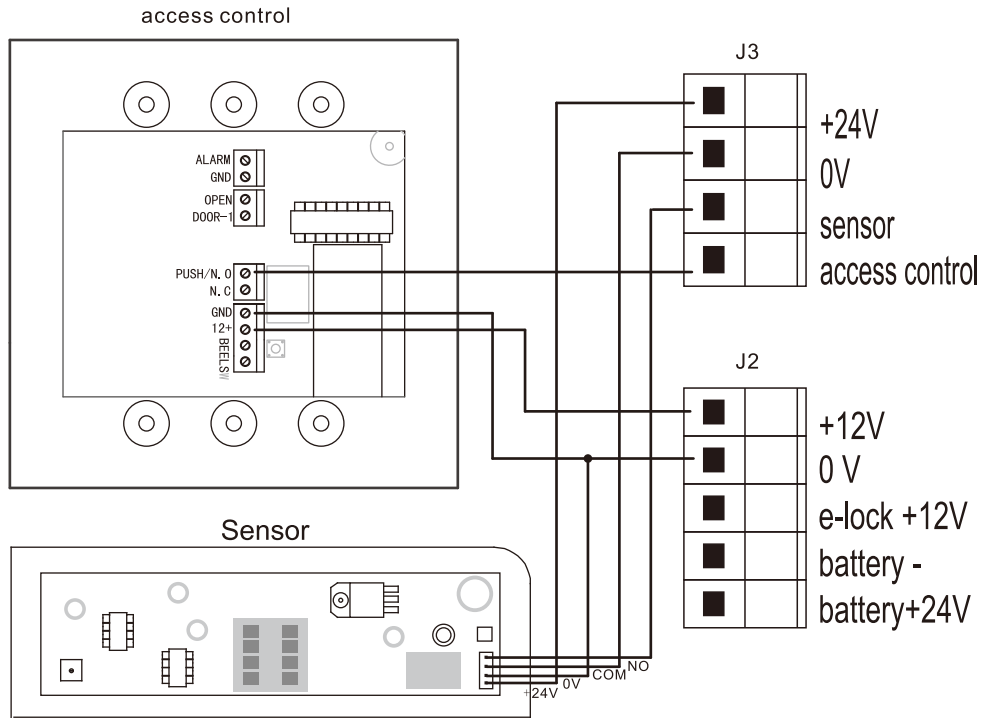
## Safety sensor



For safety, please connect the connection in J3 with 24V or J2 with 12V. When the door is closing, the safety beam/close work, the door will open again. When the door open the safety beam/open work the door will stopped.

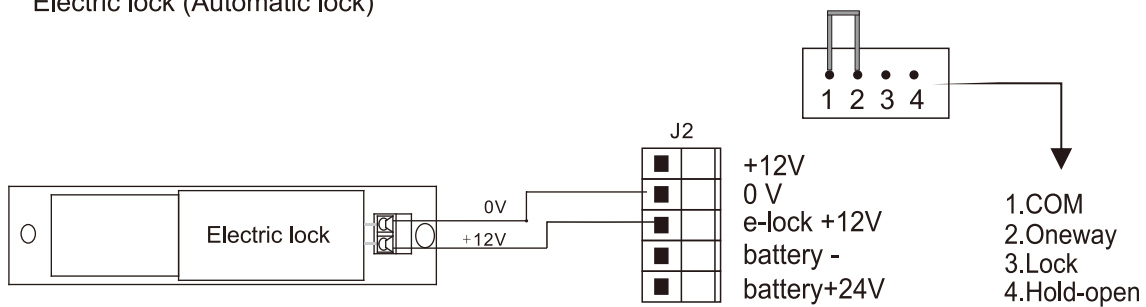
Remake: The output power of 12V should less than 10W.

Sensor & access control



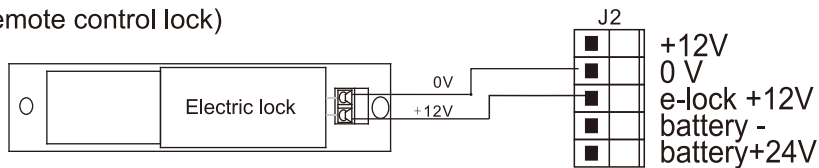
Remake: The output power of 12V should less than 10W.

Electric lock (Automatic lock)



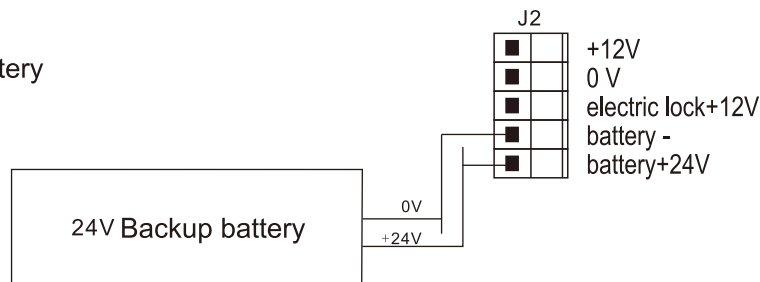
Note: The power supply voltage is 12V, the working current of the electric lock is less than 200mA, and the starting power is less than 800mA.

Electric lock (Remote control lock)



Note: The power supply voltage is 12V, the working current of the electric lock is less than 200mA, and the starting power is less than 800mA.

Backup battery



When the backup battery is directly connected to the controller for charging, the charging current must not be greater than 500mA.

Port voltage "battery+" is 27V

## Electrical connection

### Double-door synchronous



**Controller A**

**Controller B**

\*When double opening open first and close second is master door, close first and open second is slave door; Master door turn K2 down, slave door turn K2 up.  
 \*Sensors and access control system are connected with the master door controller.

### Interlock

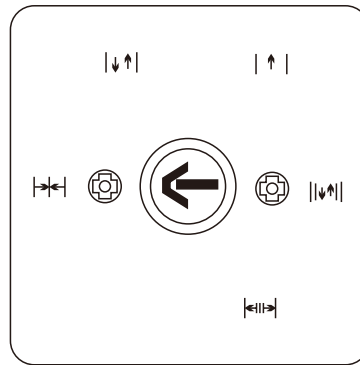
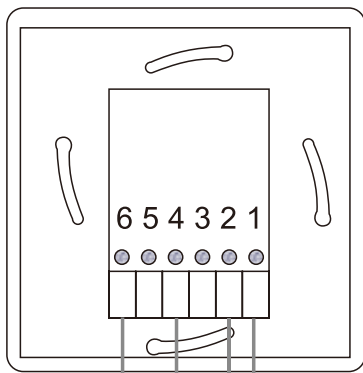


**Controller A**

**Controller B**

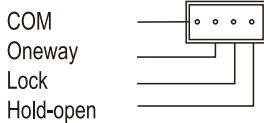
Note: Two doors share same sensor or same signal source, both doors may hold open, in this case, exchange two signal wires of the sensor which is connected with the same controller, it doesn't matter controller A or B.

### optional: Functional key switch



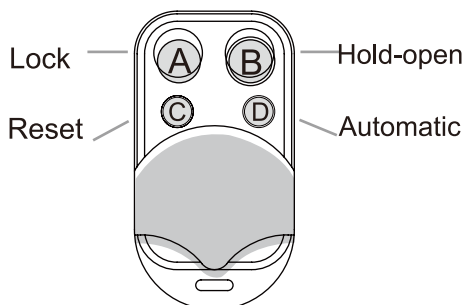
- Lock
- Automatic
- Oneway
- Half-open(ignore it)
- Hold-open

When the key switch is set in Oneway status, the sensor signal is shielded, But the access control system works normally.



## Electrical connection

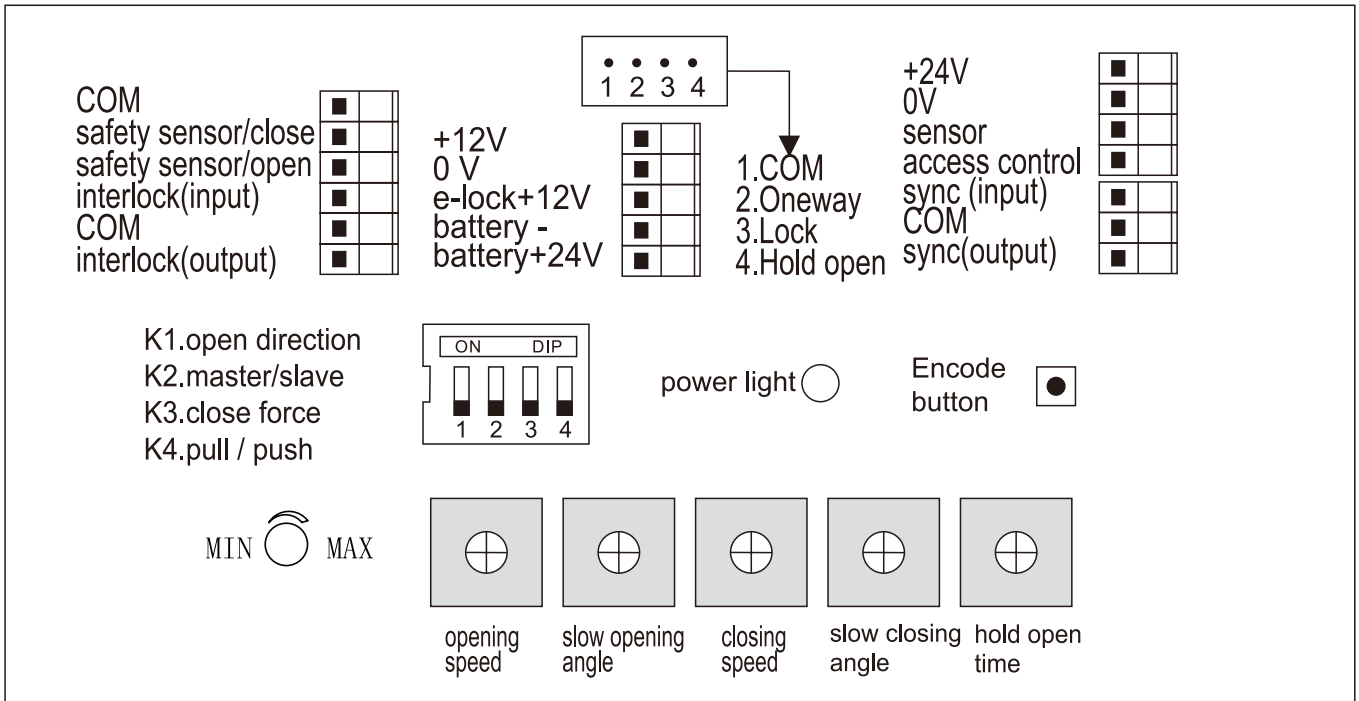
### Optional: remote control



Encode remote control with the door controller:

1. Delete all: long press the button "Encode" until the sound of buzzer disappears, loosen the button.
2. Encoding: long press the button "Encode", the buzzer sounds. Then press any button of the remote control, the buzzer stops sounding which means encoding successfully. When use the remote control, the buzzer sounds for 2 seconds.
3. Note: when use the remote control, if the buzzer udeep" twice, it means encoding failed, so please repeat above step 2.
4. Press button "automatic" one time, the door wil open and dose one time. One controller can be connected with remote control not more than 10pcs .

## Parameters adjustment



1. Set the DIP switch(K1-K4): after setting, power off and restart.

K1: Set opening direction: power on, the door goes to closing direction, if not, change the switch position.

K2: Set master/slave door: when double-door synchronous, master door turn K2 down (OFF), slave door turn K2 up(ON).

K3: Set closing force: no closing force, turn K3 down(OFF), want closing force, turn K3 up (ON).

K4: Choose pull arm or push arm: pull arm, turn K4 down(OFF), push arm, turn K4 up (ON),

2. User adjustment:

1.Opening speed

turn clockwise, speed increase

2.Slow opening angle

turn clockwise, angle bigger

3.Closing speed

turn clockwise, speed increase

4.Slow closing angle

turn clockwise, angle bigger

5.Hold-open time

turn clockwise, time longer

Turn anticlockwise, it is decrease.

