

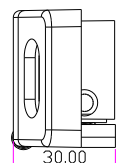
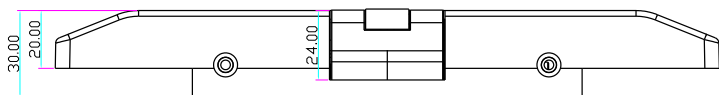
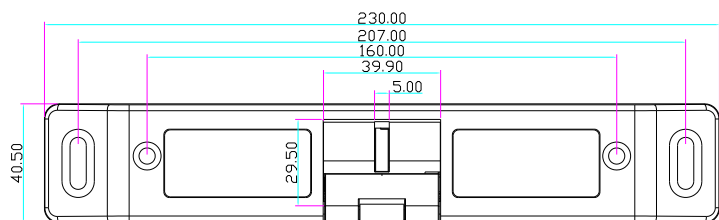
YS-621-S

Electric Strike for Push Bar

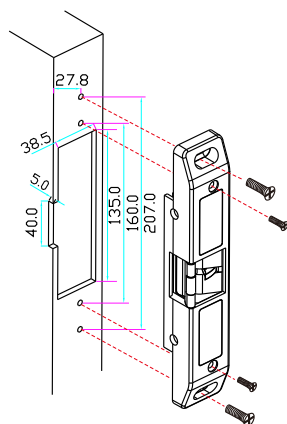


Dimensions

Unit: mm



Installation dimension

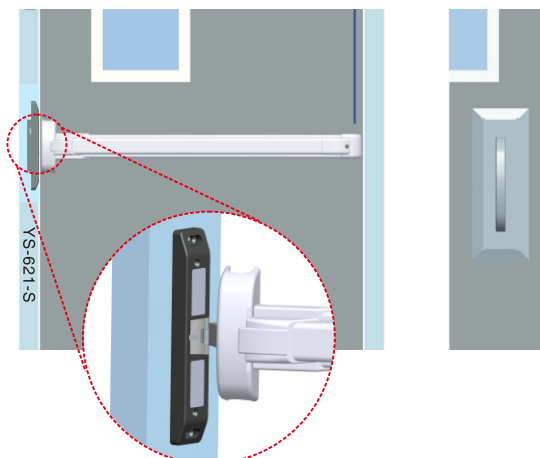


Product overview

YS-621-S is suitable for fire exit door with Push-rod lock. The operating principle of electric strike is that electromagnetism produces the force to pull or push the release lever so that to lock or open the door.

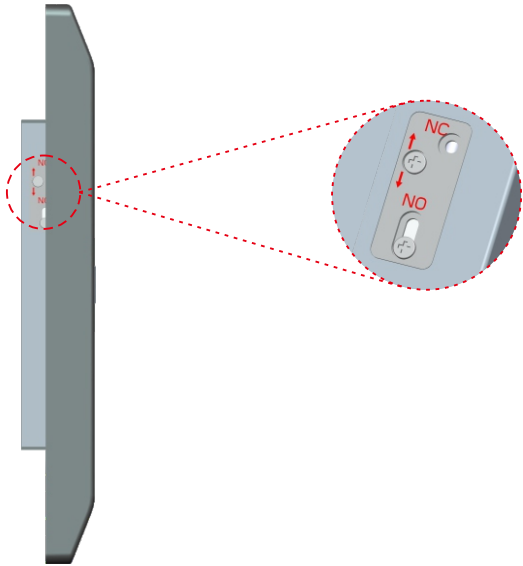
Specifications/Model	YS-621-S
Product Parameter	Technical Parameters
Lock Dimensions	L230xW40xH30(mm)
Lock tongue structure	304 Stainless Steel
Holding Force	1000kg
Voltage	DC12V or DC24V
Current	12V/320mA; 24V/160mA
Signal Output	Lock Status Output NO/NC/COM
special design	applies to all brands of fire push rod lock
Suitable For	supporting rod lock fire door
Feature	Fail Secure& Fail Safe adjustable
Suitable Temperature	-10℃~+55℃(14-131F)
Operating Humidity	0~95%
Face plate Housing	High temperature paint
Lock tongue	Surface by coating nickel
The door open	90 degrees
Surface Temperature	Within +20℃
Weight	0.75kg
Patent No.	201320470904.1

Installation diagram



Shenzhen YLI Electric Lock Co.,Ltd.

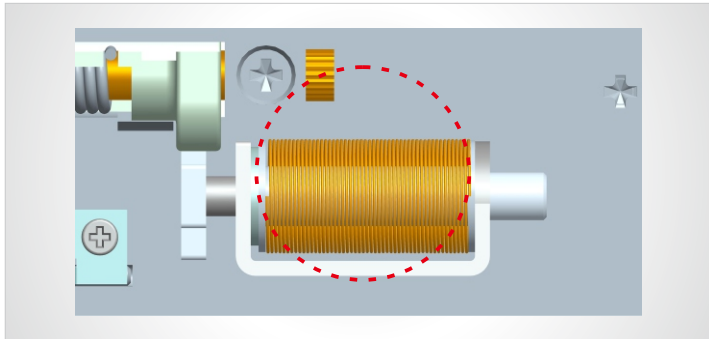
Adjustment



You can set the operation mode of Fail Safe or Fail Secure.
 Loose the screw and tighten it in the other hole.
 Fail Safe(NC): When power off, the door is in the open status.
 Fail Secure(NO): When power off, the door is in the closed status.

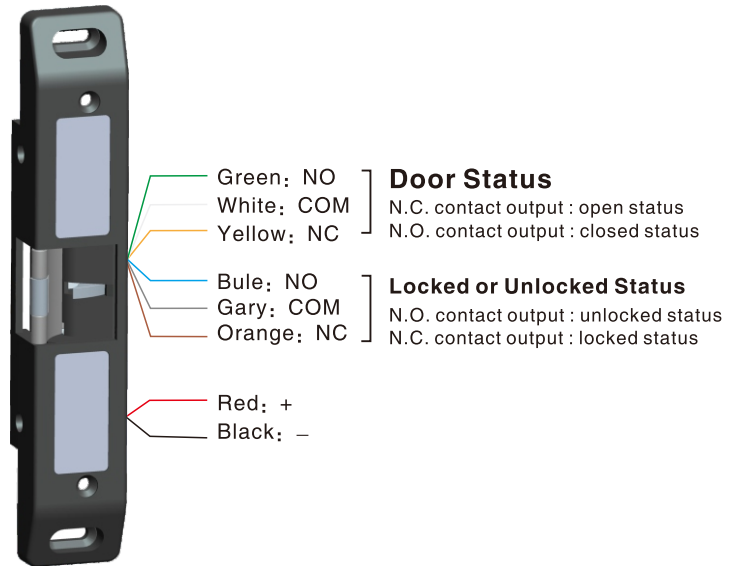
Specific solenoid valve

Specially designed solenoid valve has the long useful life over 1,000,000 times.



Signal output

N.C. contact or access relay for fail safe setting.
 N.O. contact or access relay for fail secure setting.



Electric strike for push bar

YLI Electric Strike is designed for European and American standard electric strike for push bar.



Shenzhen YLI Electric Lock Co.,Ltd.

Room 1605, Block A, Haisong Building, Tairan 9th Road, Futian District, Shenzhen, China
 TEL:86-755-83489801/02/03/04/05/06 FAX:86-755-83489807
 Website: www.yli.cn E-mail: yli@yli.cn

