



YLI ELECTRONIC

Fail Secure Electric Bolt W/Cylinder

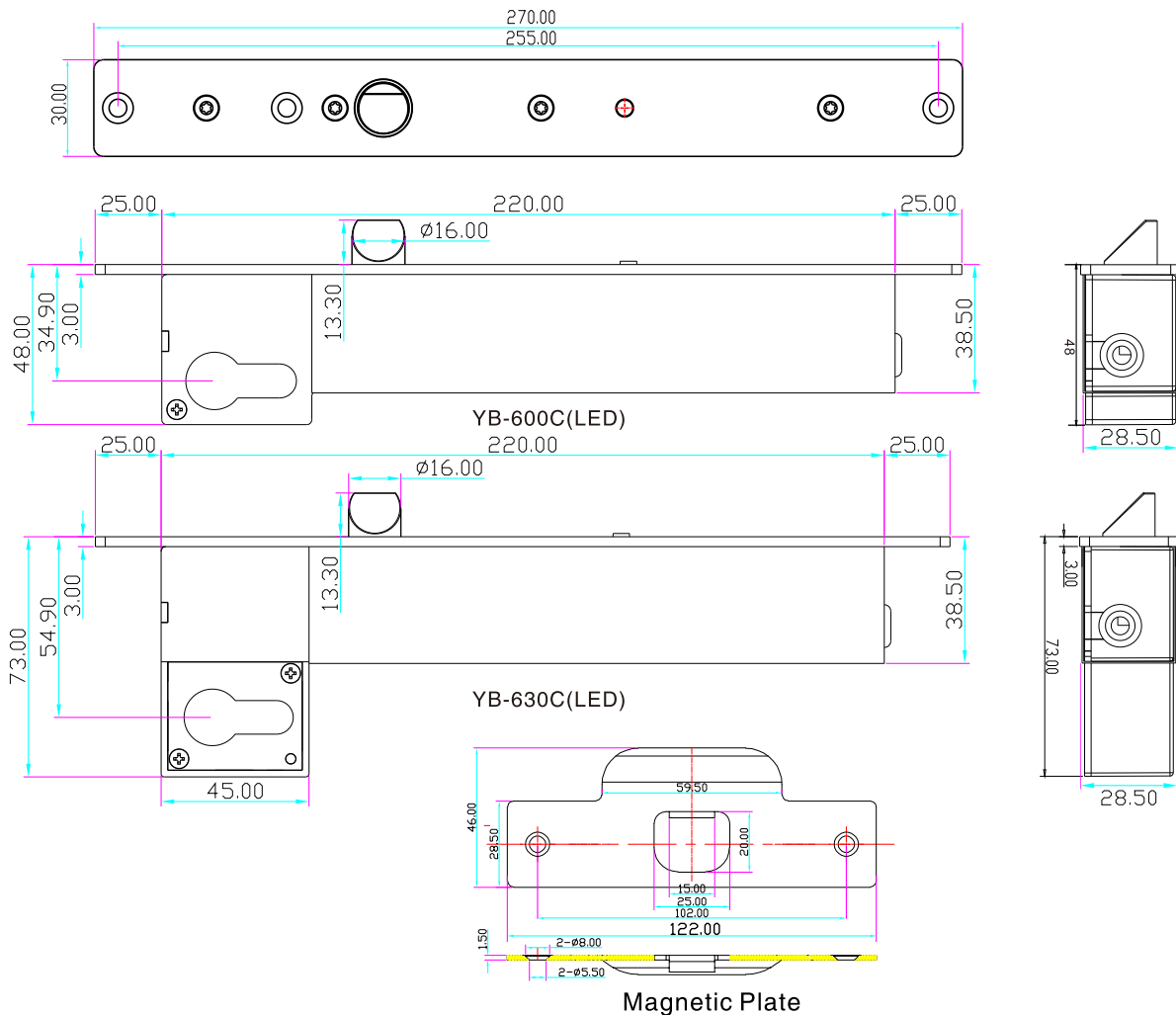


Model:YB-600C(LED)/YB-630C(LED)

Parameters

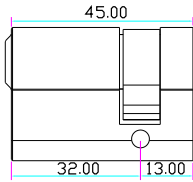
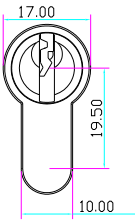
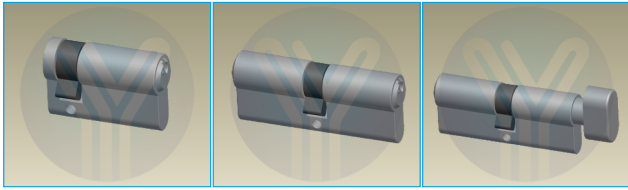
Lock Body	270Lx30Wx48H(mm)[YB-600C(LED)] 270Lx30Wx73H(mm)[YB-630C(LED)]
Magnetic Plate	122Lx46Wx1.5H(mm)
Bolt	16(prolongation)*16(diameter)(mm)
Signal Output	Lock signal NO/NC/COM(need order door signal)
Voltage	DC12V(Default)/DC24V(Order)
Current	12V/1200mA; 24V/650mA
Feature	Fail Secure
LED	Light on indicates unlocked, light off indicates locked
Suitable for	Wooden door, metal door, fireproof door, glass door
Material	304 stainless steel, wire draw finishing
Weight	1.6kg/1.8kg

Dimensions

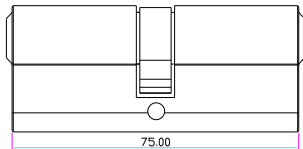
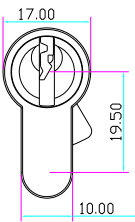


Optional Accessory

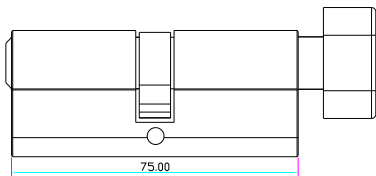
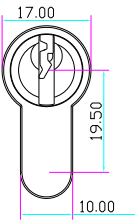
Single side cylinder or both side cylinder, other sizes are available too: 80/90/100/110/120mm.



Single side cylinde



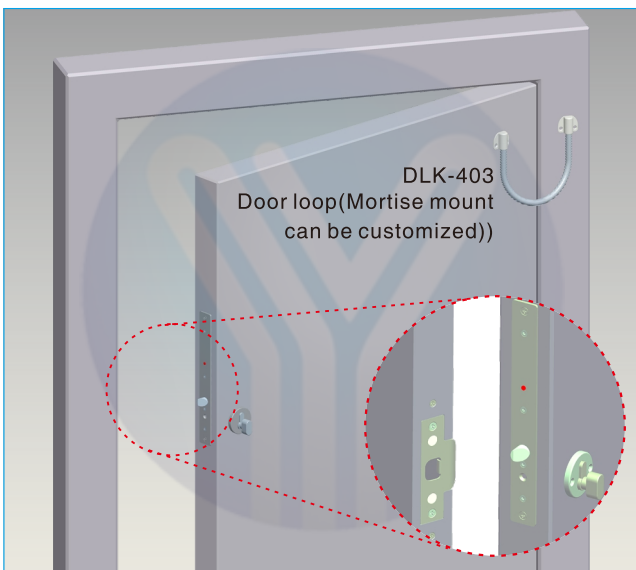
Double side cylinder



Single side cylinder with Thumb

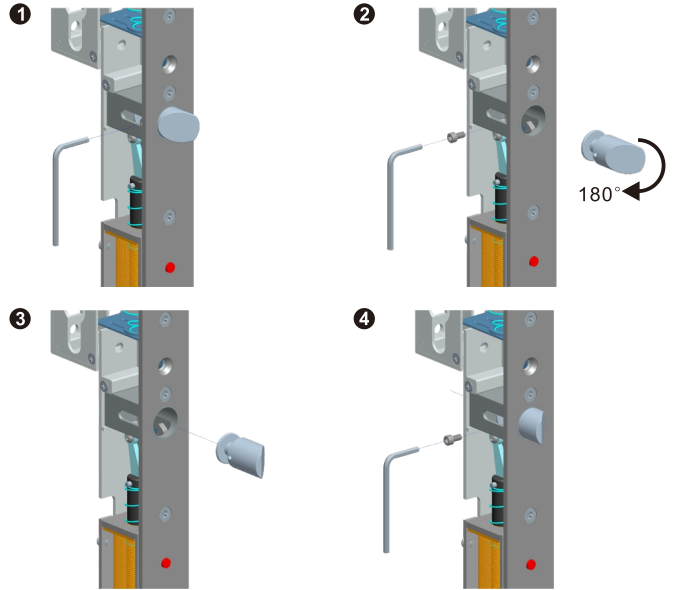
Optional accessory

The Door Loop is used for protection of extension wiring from damages for security reasons.



Adjustable Latch bolt

Please adjust the position of the latch bolt according to the door opening direction.



(Outdoor)

① DIN "Left" outswing

④ DIN "Right" outswing

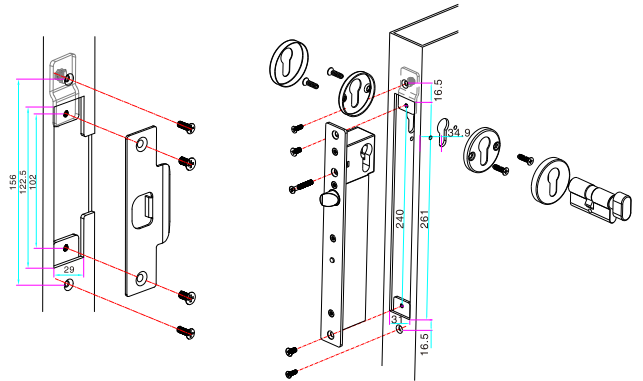


④ DIN "Left" inswing

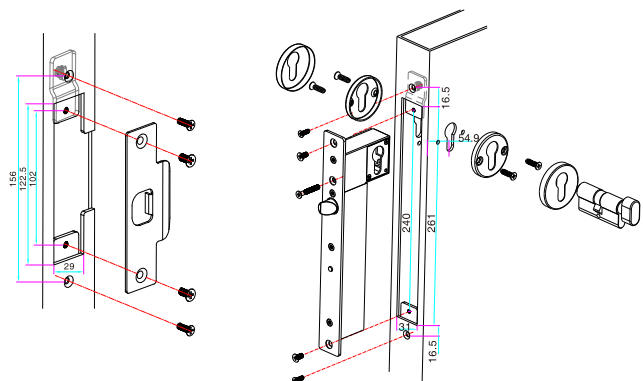
① DIN "Right" inswing

(Indoor)

Installation Schematic

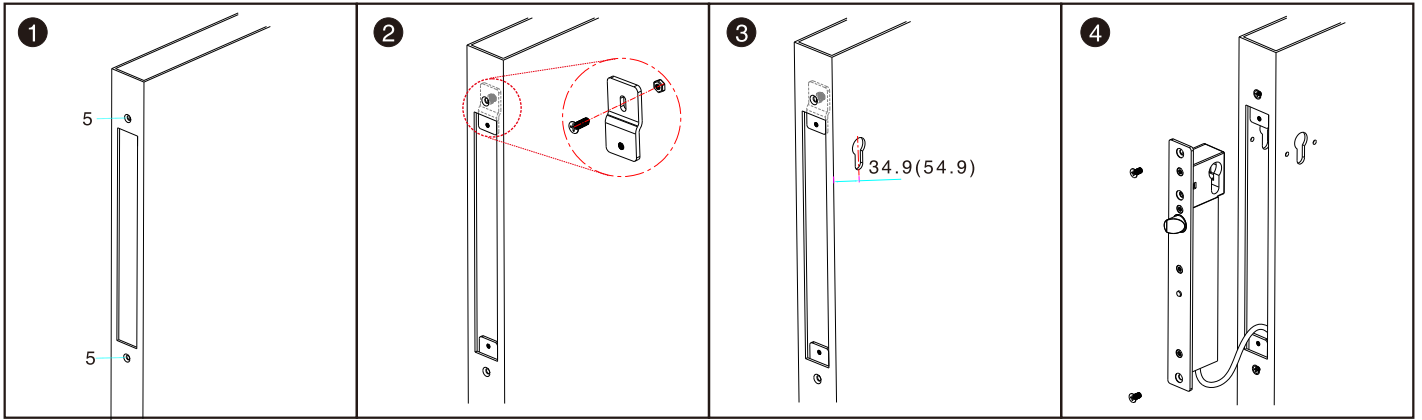


YB-600C(LED)



YB-630C(LED)

Installation steps

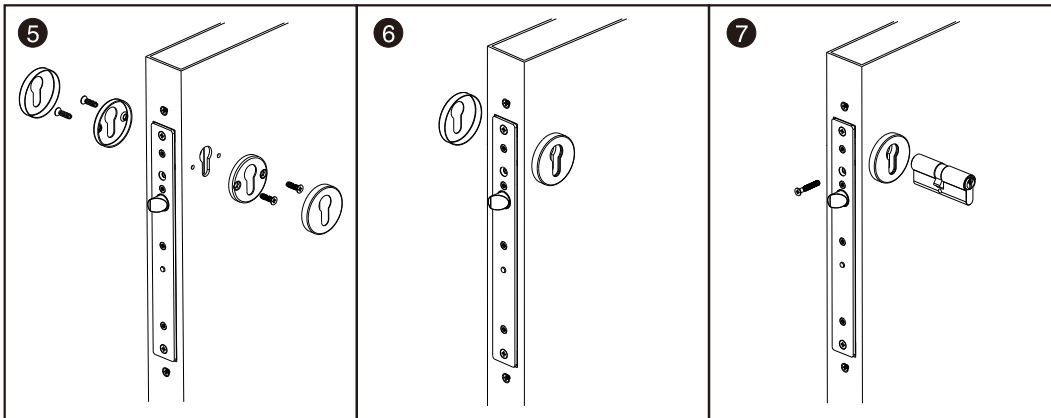


1 Drill and cut out as template indicates

2 Fasten fixing lugs

3 Cut door leaf out for cylinder installation

4 Connect power cable to electric bolt and test it



5 Mount electric bolt and cylinder

6 Fix cylinder's cover

7 Use long screw to tighten the cylinder

Wiring Diagram

