



YLI ELECTRONIC

# Floor Mount Door Holder

Model: YD-606L



## Basic Instruction

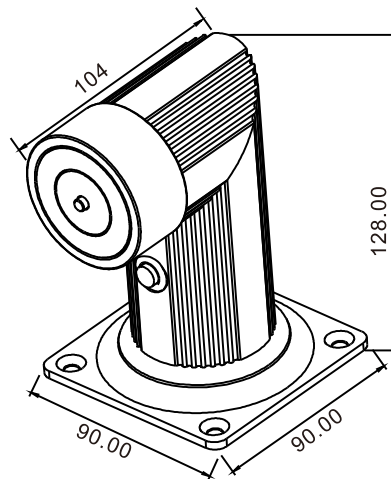
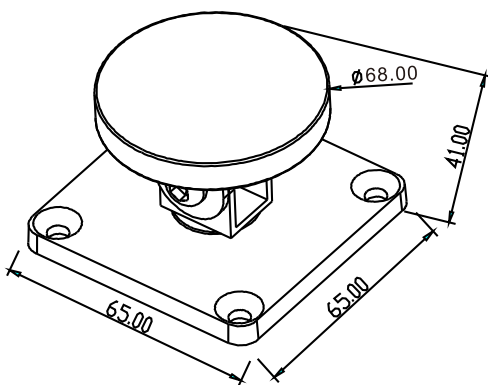
Dual Voltage Selectable(12VDC or 24VDC)  
 Emergency Release Button/Test Button  
 Wall Mounting Direction

Low Current Consumption  
 Reliable Fail-Safe Mechanism  
 Durable and Silence Operation

## Specifications

- Size: 90Lx90Wx128H(mm)
- Voltage: 12/24VDC+10%(Adjustment)
- Current Draw: 12V/240mA 24V/120mA
- Optional: Manual door release button
- Surface Temp:  $\leq +20^{\circ}\text{C}$
- Operating Temp:  $0\sim +55^{\circ}\text{C}$ (14-131F)
- Weight: 1.8kg
- Holding Force: 180kg(350Lbs)
- Suitable for: All Kinds of Single(Double) Smokeproof Doors
- Suitable Humidity: 0~95%
- Finishes for Shell: High Temperature Paint Environmental Protection Zinc
- Finishes for Armature: Chromium

## Dimension



## Installation

### 12/24V Adjustable

#### Remarks:

1. The default setting is 24VDC.
2. If user want to connect with 12VDC, operating as below:
  - (1) Pull those two jumpers out. It is showed 4 pins here.
  - (2) To set up 12VDC, insert one jumper on the position of 1 and 2, second jumper on the position of 3 and 4.

