



YLI ELECTRONIC

Door Release Button (Stainless Steel)

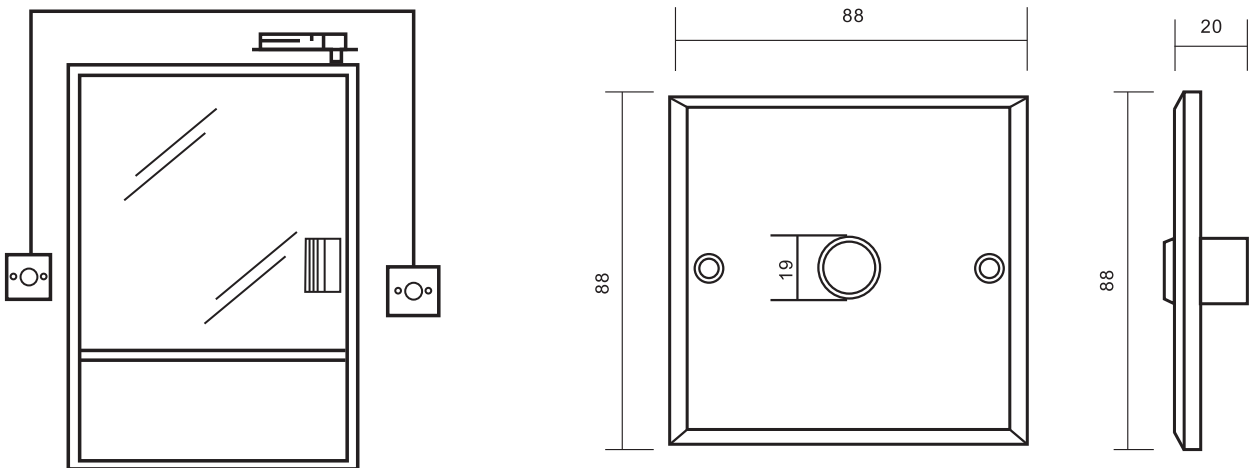


Model:YKS-850S/M

Specification

- Size: 86Lx86Wx20H(mm)
- Current Rating: 3A@36VDC Max
- Optional Accessory: PBK-801B-M
- Operating temp: -20~+55°C(14-131F)
- Panel Material: Stainless Steel Panel,
Wire Drawing Finished
- Standard Structure: Stainless steel Panel with Key
- Output Contact: NO/NC/COM
- Safe Type: Weatherproof, Defend
and Duplicate the Key
- Operating Humidity: 0-95% (non- condensing)
- Weight: 0.18kg

Wiring Diagram



Installation

