

PRODUCT TECHNICAL DATASHEET

R90/F2ES

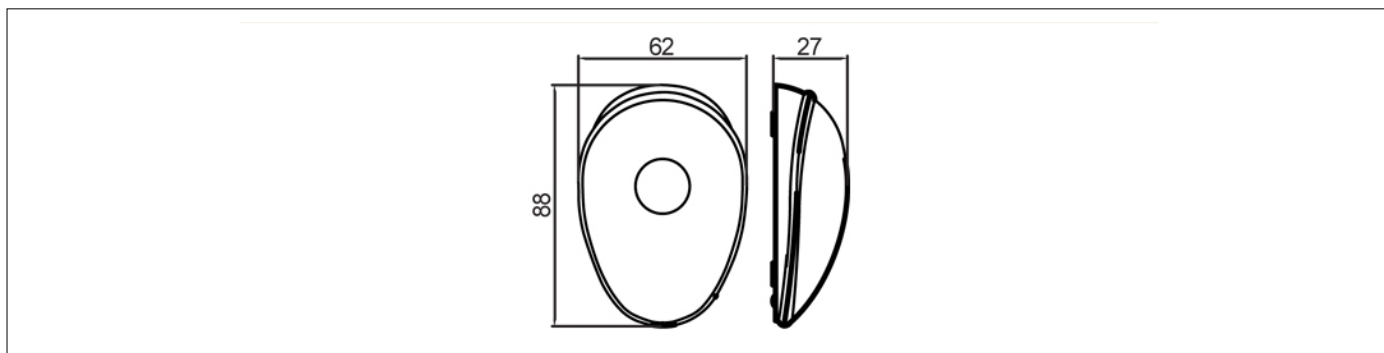


| CODE | DESCRIPTION | PCS/PALLET |
|----------|---|------------|
| R90/F2ES | Pair of external photocells synchronized. | 20 |

PRODUCT TECHNICAL SPECIFICATIONS

| | |
|---|----------------------------|
| Standard power | 12/24V AC 50Hz - 12/24V DC |
| Absorption | TX 19mA - RX 20mA |
| Operating temperature | -20+55°C |
| Protection level | IP55 |
| Maximum distance in open field | 10 - 15 m |
| Maximum number of photocells synchronized | 2 |
| Orientation angle | - |
| Relay contacts max current | 0,5A RX |
| Relay contacts max voltage | 30V |
| Installation Type | External |
| Maximum dimension product in mm (L x W x H) | 62 x 88 x 27 |
| Product weight packed (Kg) | 0,1 |
| Number items per pallet/box | 20 |

PRODUCT DIMENSIONS AND PREPARING FOR INSTALLATION



PRODUCT ACCESSORIES



CFT500
Pair of column H 500 for
photocells series R90.



CFT501
Pair of column H 1000 for
photocells series R90.