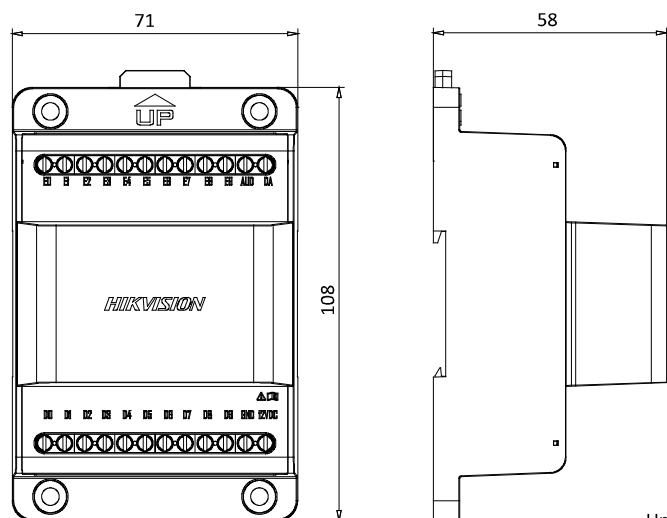


Approval

CE-EMC	<ul style="list-style-type: none"> a. EN 55032:2015 b. EN 61000-3-2:2014 c. EN 61000-3-3:2013 d. EN 50130-4:2011 +A1:2014
CE-LVD	EN 60950-1:2006 + A11:2009 + A1:2010 + A12:2011 + A2:2013
ROHS	2011/65/EU
REACH	Regulation (EC) No 1907/2006
WEEE	2012/19/EU

Appearance



Unit : mm

Specification

Interfaces

Power input	1
Indoor station connecting interface	20 pins
Door station connecting interface	2 pins

General

Power supply	12 VDC
Working temperature	-20 °C to +50 °C (-22 °F to +140 °F)
Storage temperature	-20 °C to +50 °C
Working humidity	0% to 90% (no condensing)
Installation	Wall mounting

Available Model

DS-KAD20