

YB-800A

Fail Secure Electric Bolt W/Signal & Time

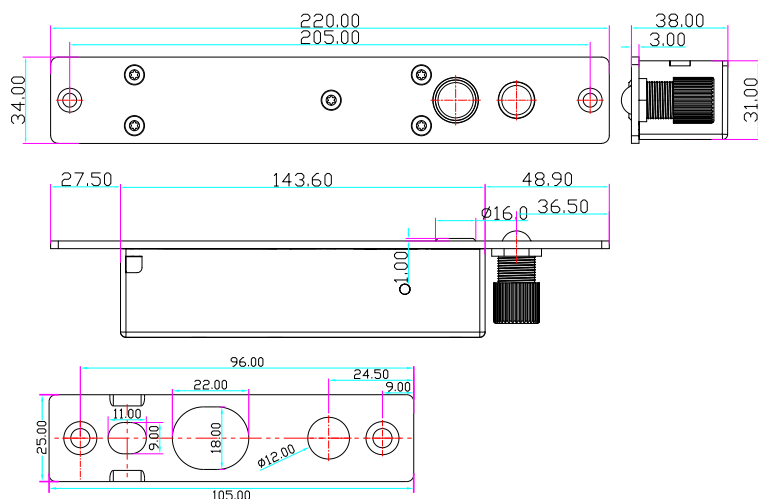
Product overview

YB-800A to prevent the damage of the lock caused by the improper locking position. To align the position of the magnetic plate and the bolt in a short time, which can reduce the relock time of the electric bolt. YB-800A is an Fail Safe electric bolt with all-metal construction with 304 stainless steel solid bolt and 2000kg holding force. The Door signal is NC. It can operate at the temperature of 60 °C or -40 °C below zero based on the all-metal linkage parts. With the diversified design of durable magnetic valve, special photoelectric control system, ultra-low temperature and power consumption design, anti-intrusion and smart circuit.



Dimensions

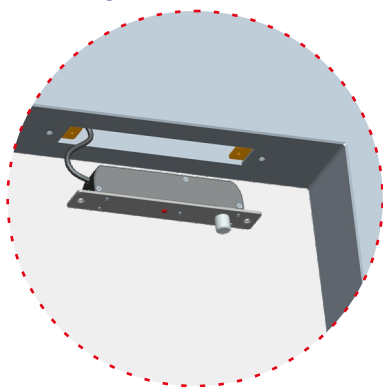
Unit: mm



Magnetic Plate

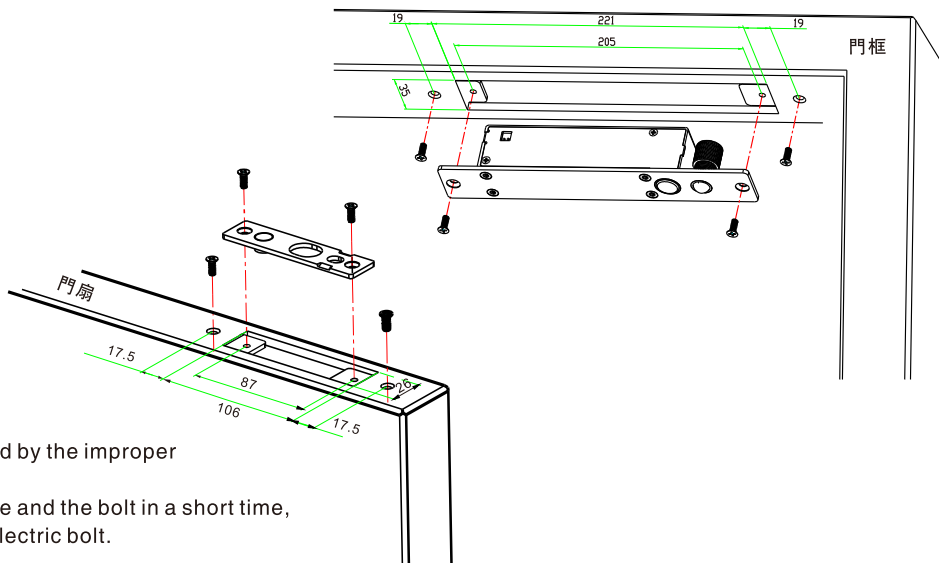
Parameter/Model	YB-700B(LED)
Parameter	Description
Feature	Fail Safe
Lock Body	220Lx34Wx38H(mm)
Magnetic Plate	105Lx25Wx3H(mm)
Bolt	16(length) * 16(diameter)(mm)
Voltage	12VDC±10%
Start Current	1200mA
Standby Current	200mA
Signal Output	Door signal: NO/COM
Suitable For	Wooden door, metal door, fireproof door, glass door
Detection Distance	Within 8mm
Material	304 stainless steel, wire drawing finishing
Weight	1.0kg
Certificate	MA CE-EMC CE-LVD FCC-VOC REACH WEEE

Installation diagram



Spring plunger (ball plunger)

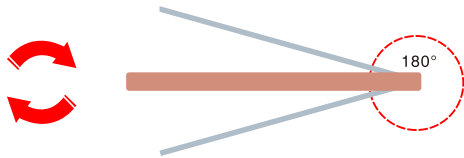
1. To prevent the damage of the lock caused by the improper locking position.
2. To align the position of the magnetic plate and the bolt in a short time, which can reduce the relock time of the electric bolt.



Shenzhen YLI Electric Lock Co., Ltd.

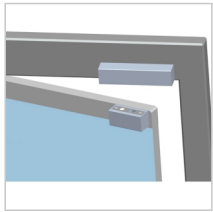
Suitable for double action doors

Electric bolts are specially designed for double action doors. They can also be installed on both inswing doors and outswing doors.

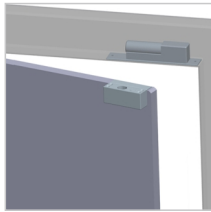


Optional Brackets

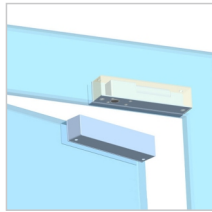
It depends on the types of your doors. We have many kinds of brackets for narrow frame doors, frameless glass doors and in-swing or out-swing doors.



(BBK-500)



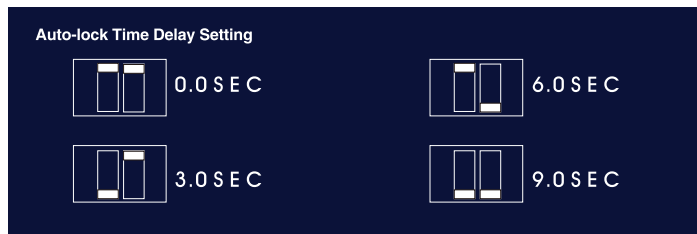
(BBK-601)



(BBK-700)

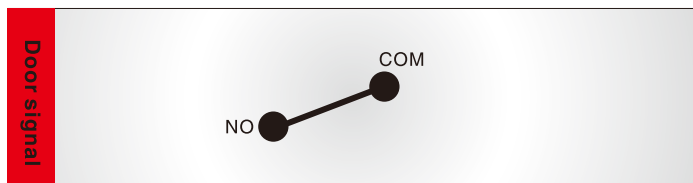
Auto-lock time delay function

This can be set up from 0 to 9 seconds by adjusting the jumpers.



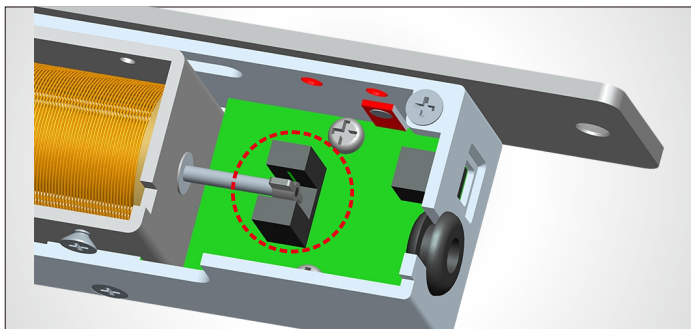
Optional door or lock sensor output

Door signal:NO/COM



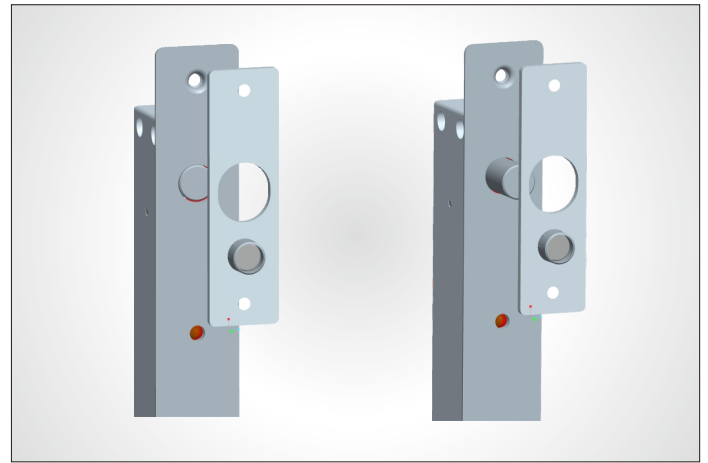
Photoelectric sensor control

Instead of using electric components, we use photoelectric components to make the bolt more stable and durable. at the same time, it can increase the lifetime of the electric bolt.



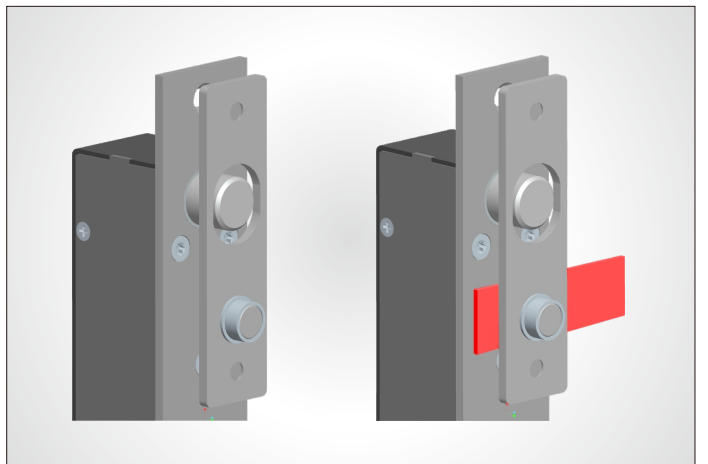
Auto-detective circuitry

This special auto-detective circuit of electric bolt keeps the bolt retracted while the door unlocked or improperly aligned until the door is properly closed.



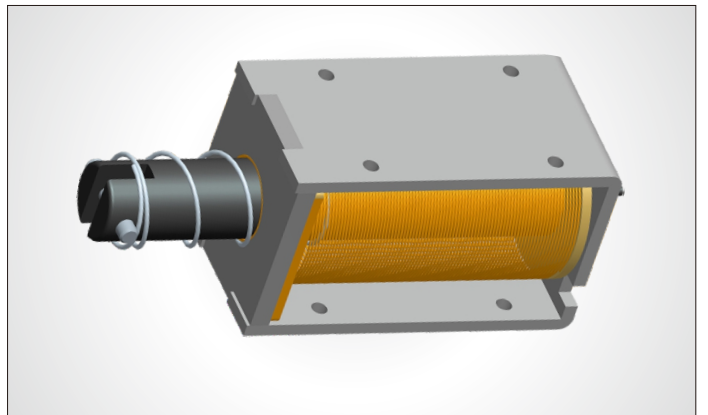
Vandal resistant circuitry

The reed sensor will automatically disconnect when the door is actually closed in order to enhance the security of the lock.



Ultra durable solenoid valve

Tested for over 500,000 times, the specially designed solenoid valve can be used for 5 to 10 years.



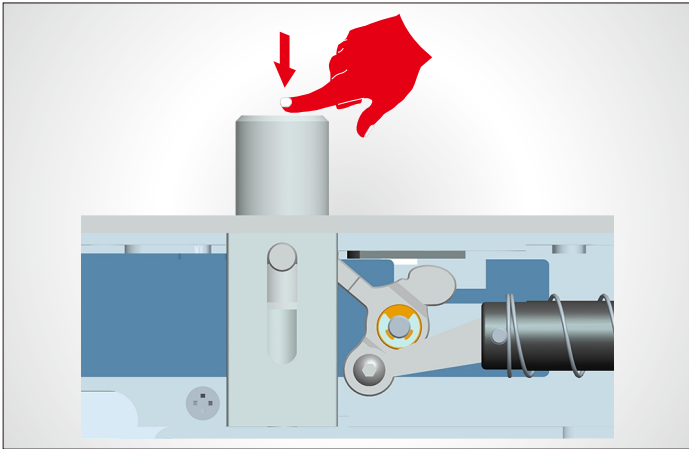
Shenzhen YLI Electric Lock Co.,Ltd.

Room 1605, Block A, Haisong Building, Tairan 9th Road, Futian District, Shenzhen, China
 TEL:86-755-83489801/02/03/04/05/06 FAX:86-755-83489807
 Website: www.yli.cn E-mail: yli@yli.cn



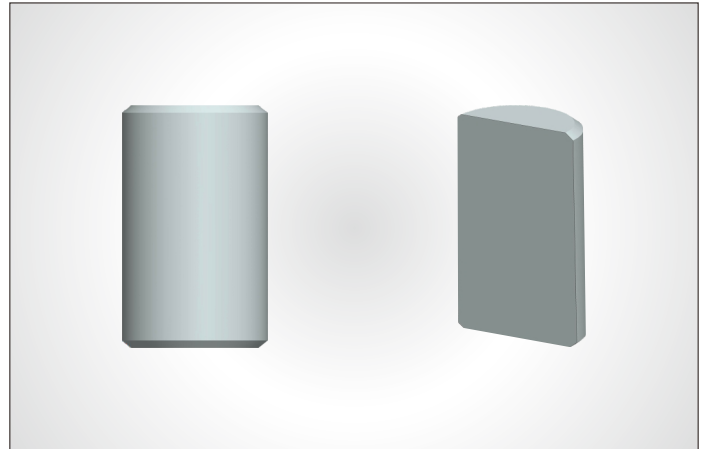
Optional anti-burglar function

When the bolt is extended, it cannot be retracted by the external force without permission.



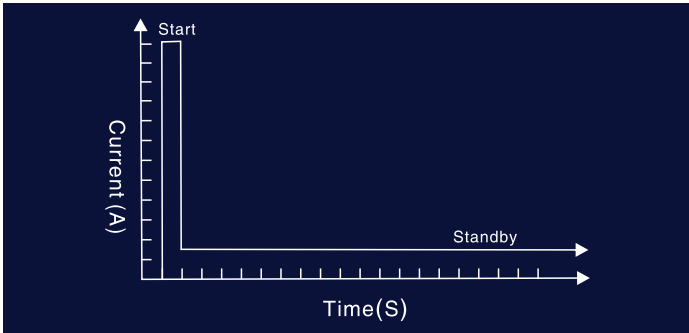
304 stainless steel solid bolt

With 304 stainless steel solid bolt, the electric bolt has 2000kg holding force. It is stronger and more durable under the harsh environment.



Energy saving design

When the bolt is extended to keep the door locked, it draws only 0.2A in a holding mode down from 1.2A while the bolt is retracted. This design extends the life of the electric bolt.



Connecting instructions

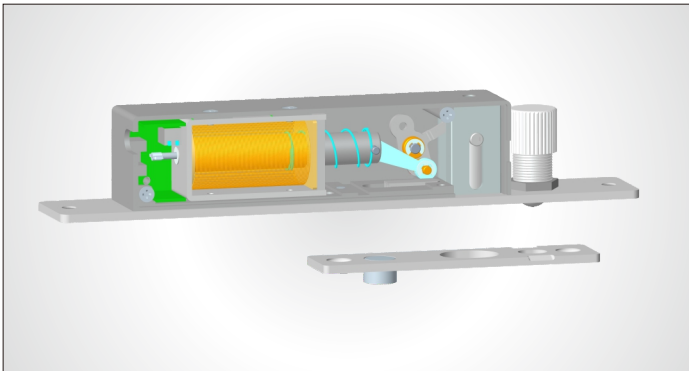
With the special auto-detective circuit, we advise you to connect our own open wires to open the door instead of shutting off the power directly.

	Red		+	12V DC	
	Black		-		
	Orange		OPEN		
	Green		NO	} Door signal	
	White		COM		

All-metal lock body

The all-metal lock body and components make the lock stronger and more durable, which ensure the lock can work under the harsh environment.

(Can order the lock work at the temperature of 60°C or 40°C below zero.)



Shenzhen YLI Electric Lock Co.,Ltd.

Room 1605, Block A, Haisong Building, Tairan 9th Road, Futian District, Shenzhen, China
 TEL:86-755-83489801/02/03/04/05/06 FAX:86-755-83489807
 Website: www.yli.cn E-mail: yli@yli.cn

