

# DS-KD8003-IME1/NS Video Intercom Module Door Station

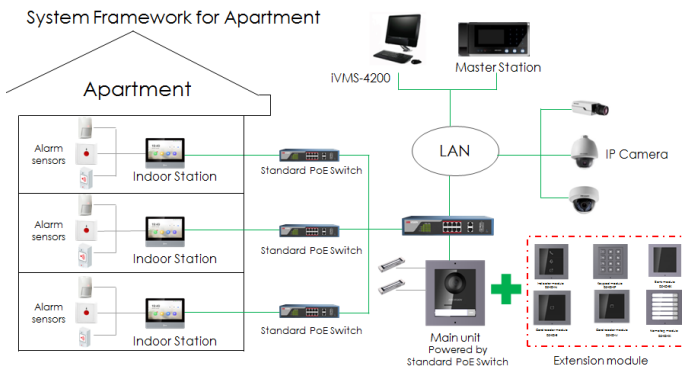
**HIKVISION**<sup>®</sup>



## Key Feature

- Modular door station Main unit, needs mouting bracket
- 2MP HD Camera, Fish eye, IR Supplement
- 1 Call physical Button, 2 lock relays, 4-ch alarm input
- IP65, 12 VDC or standard POE
- Video intercom to indoor station and master station

## Typical Application



## Specification

System parameters	
Operation system	Embedded Linux operation system
Flash	16 MB
RAM	256 MB
CPU	Embedded MCU Processor
Display parameters	
Size	/
Operation method	/

Type	/
Resolution	/
Video parameters	
Video compression standard	H.264
Supplement light	IR supplement
Lens	Low Illumination 2 MP HD IR Camera
FOV	Horizontal: 180° , Vertical: 96°
WDR	Supported
Pixel	Main stream : 1920 × 1080 Sub stream : 720 × 480
Audio parameters	
Audio compression standard	G.711 U
Audio input	Built-in omnidirectional microphone
Audio output	Built-in loudspeaker (More than 85 dB within 20 cm)
Audio compression bitrate	64 Kbps
Audio quality	Noise suppression and echo cancellation
Volume adjustment	Adjustable
Capacity	
Fingerprint capacity	/
User capacity	/

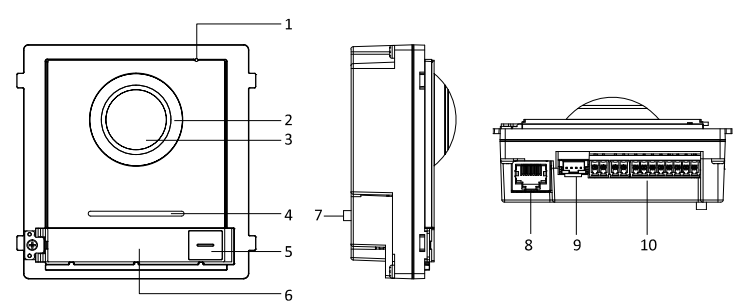
Face capacity	/
Linked indoor station	100
Event capacity	/
<b>Network parameters</b>	
Communication protocol	TCP/IP, RSTP
Wired network	Support
Wi-Fi	/
Bluetooth	/
3G/4G	/
<b>Device interfaces</b>	
Alarm input	4
TAMPER	1
Network interface	1 10/100 Mbps self-adaptive Ethernet
Exit button	2
RS-485	1
USB	/
Wiegand	/
TF card	/
Alarm output	2
Lock control	2
Door contact input	2
Power interface	1
<b>General</b>	
Button	/
Installation	Flush mounting, surface mounting
Indicator	/
Weight	Without package: 415 g With package: 625 g
Protective level	IP65
Working temperature	-40° C to +55° C (-40° F to 131° F)
Working humidity	10% to 95%
Dimensions	98 mm × 99.8 mm × 43.9 mm (3.86" × 3.93" × 1.73")
Battery	/
Power supply	IEEE802.3af, standard PoE 12 VDC, 1 A
Application environment	Outdoor

Power consumption	≤ 10 W
-------------------	--------

## Available Model

DS-KD8003-IME1/NS

## Appearance and Interfaces



No.	Description	No.	Description
1	Microphone	6	Nametag
2	Low Illumination IR Supplement Light	7	TAMPER
3	Built-in Camera	8	Network Interface
4	Loudspeaker	9	Module-connecting Interface (output)
5	Call Button	10	Terminals

## Dimension

