

YS-138LK

Long Type European Electric Strike



Product overview

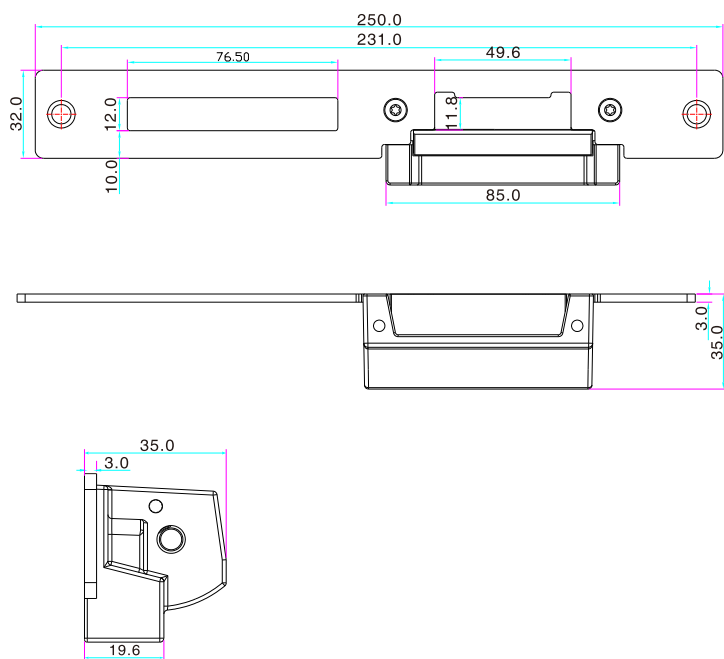
YS-138LK is a Long Type European Electric Strike. Which is made of Stainless Steel. The Holding Force is 500KG. The Voltage is default DC12V. But DC24V is available.

The current is Fail Secure(YS-138LKNO); Fail Safe(YS-138LKNC).

Which is suitable for Wooden Door, Metal Door, PVC Door.

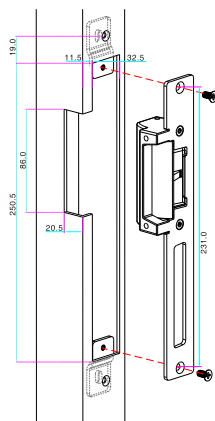
Dimensions

Unit: mm

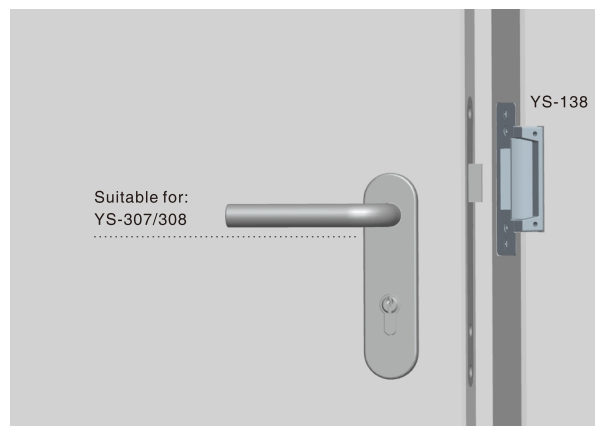


Parameter/Model	YS-138LK
Parameter	Description
Lock Size	250Lx43.7Wx35H(mm)
Strike Structure	stainless steel precision casting
Holding Force	1000kg
Voltage	DC12V (Need Order DC24V)
Current	12V/320mA;24V/160mA
Suitable For	Wooden Door, Metal Door, PVC Door
Surface Temperature	Within +20°C
Suitable Temperature	-10~+55°C(14-131F)
Operating Humidity	0~95%(non-condensing)
Face plate Housing	Painted Steel
Function	Built-out MOV
Optional Accessories	YS-308
Weight	0.42kg

Installation dimension



Installation



Shenzhen YLI Electric Lock Co.,Ltd.

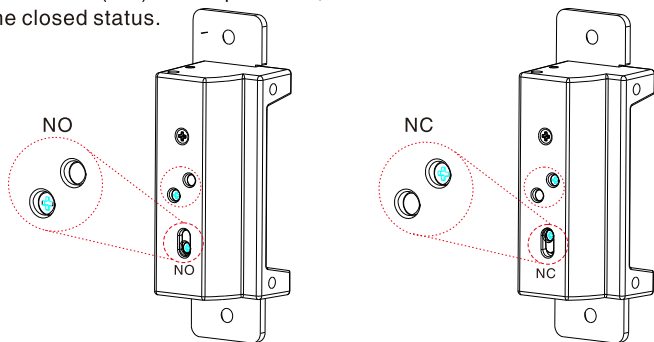
Function Conversion

You can set the operation mode of Fail Safe or Fail Secure.

Loose the screw and tighten it in the other hole.

Fail Safe(NC): When power off, the door is in the open status.

Fail Secure(NO): When power off, the door is in the closed status.

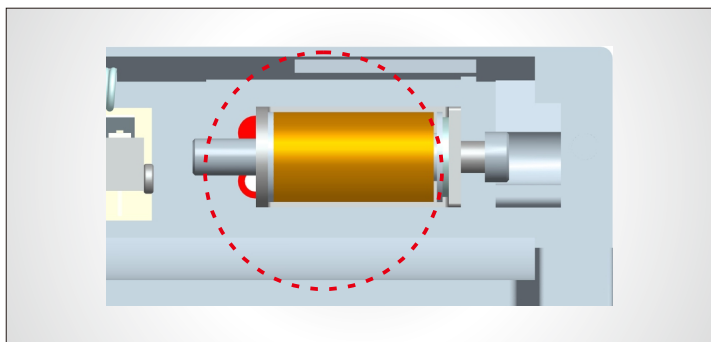


Fail Secure

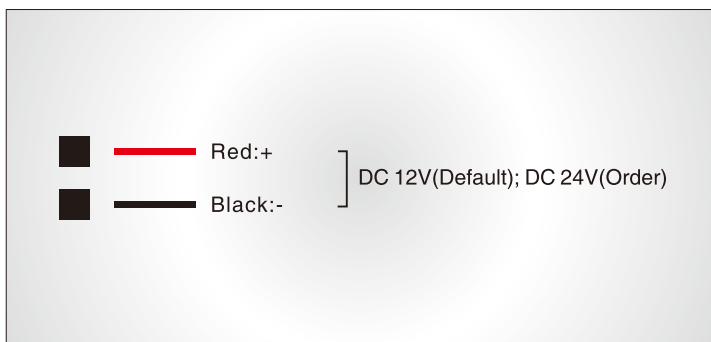
Fail Safe

Specific solenoid valve

Specially designed solenoid valve has the long useful life over 1,000,000 times.

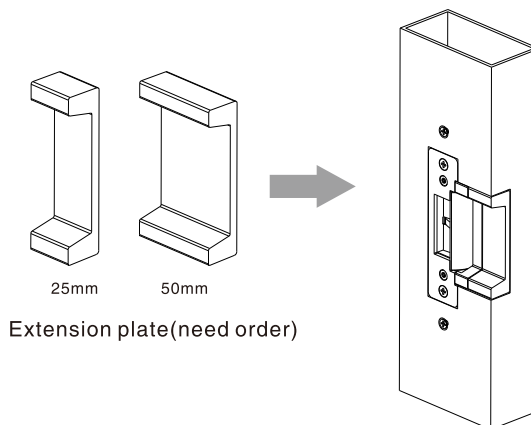


Signal Output



Accessories

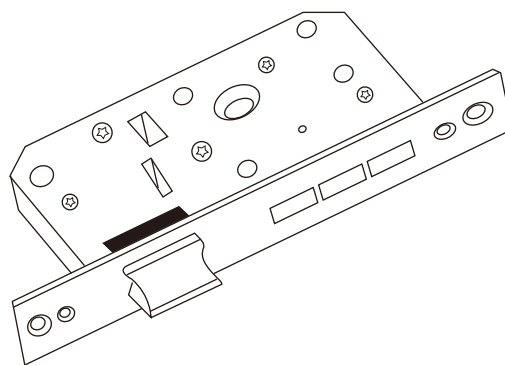
If the door frame is too thick, please use the extension plate. Installation is as the follows.



Extension plate(need order)

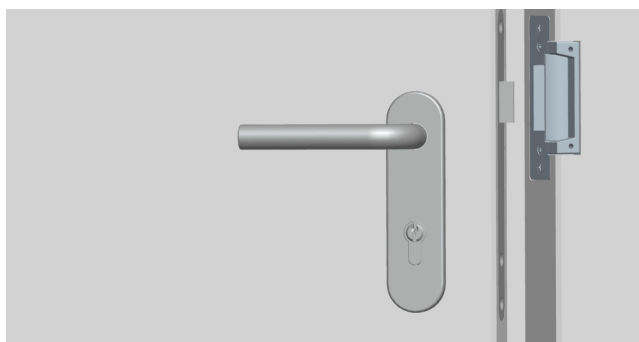
Options of Mechanical Lock

Suitable for: YS-138LK



Installation Diagram

Entrance will be managed by access control system, key can be used under emergency



Shenzhen YLI Electric Lock Co.,Ltd.

Room 1605, Block A, Haisong Building, Tairan 9th Road, Futian District, Shenzhen, China
 TEL:86-755-83489801/02/03/04/05/06 FAX:86-755-83489807
 Website: www.yli.cn E-mail: yli@yli.cn

