

# YS-138

## ANSI standard Heavy Duty Electric Strike

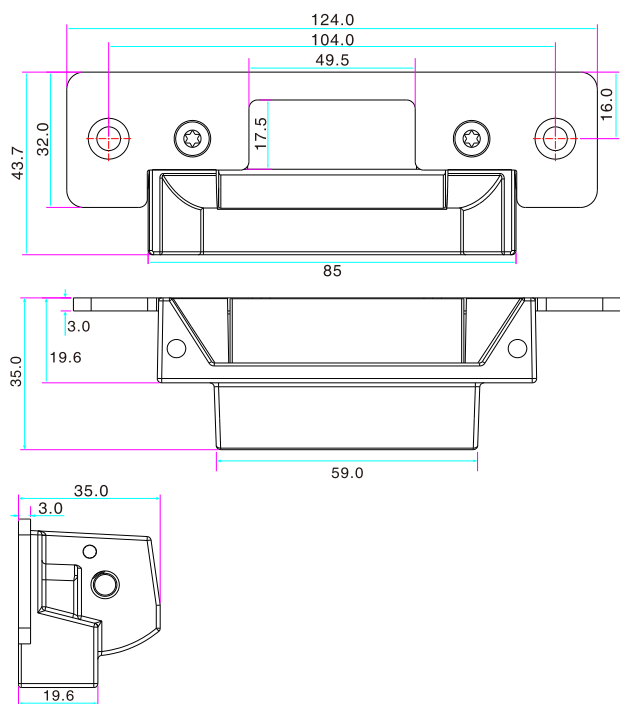


### Product overview

YS-138NO/NC is designed for wooden door, metal door, PVC door and so on. The operating principle of electric strike is that electromagnetism produces the force to pull or push the release lever to lock or open the door.

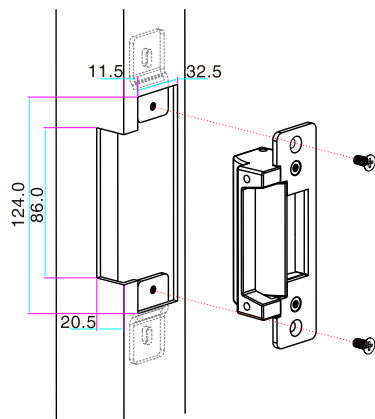
### Dimensions

Unit: mm

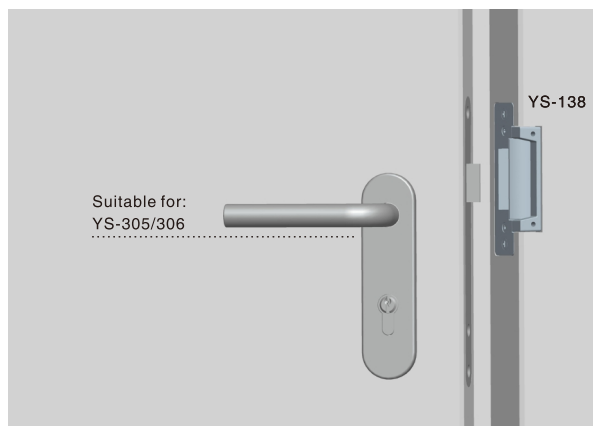


Parameter/Model	YS-138
Parameter	Description
<b>Lock Size</b>	124Lx43.7Wx35H(mm)
<b>Strike Structure</b>	Stainless Steel
<b>Holding Force</b>	1000kg
<b>Voltage</b>	DC12V (Need Order DC24V)
<b>Current</b>	12V/320mA;24V/160mA
<b>Feature</b>	Fail Secure(YS-138NO); Fail Safe(YS-138NC)
<b>Suitable For</b>	Wooden Door, Metal Door, PVC Door
<b>Surface Temperature</b>	Within +20°C
<b>Suitable Temperature</b>	-10~+55°C (14~131F)
<b>Operating Humidity</b>	0~95%(non-condensing)
<b>Face plate Housing</b>	-10~+55°C (14~131F)
<b>Function</b>	Built-out MOV
<b>Optional Accessories</b>	YS-305、YS-306
<b>Weight</b>	0.35kg

### Installation dimension



### Installation



### Shenzhen YLI Electric Lock Co.,Ltd.

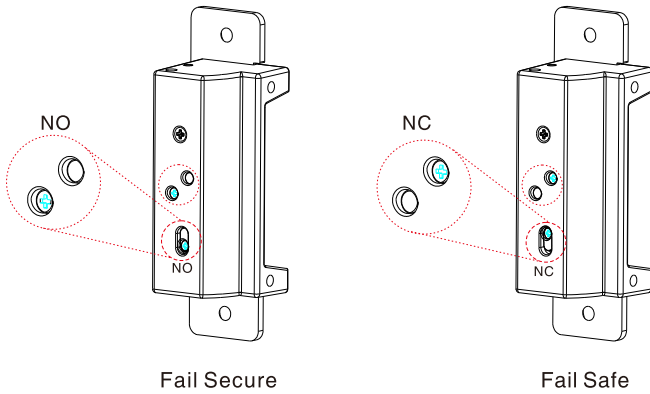
## Function Conversion

You can set the operation mode of Fail Safe or Fail Secure.

Loose the screw and tighten it in the other hole.

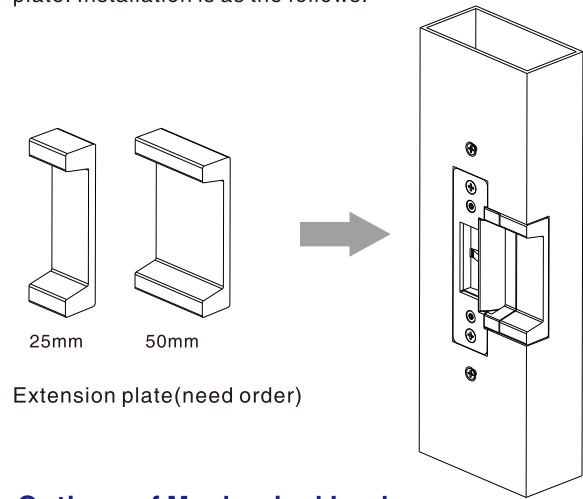
Fail Safe(NC): When power off, the door is in the open status.

Fail Secure(NO): When power off, the door is in the closed status.



## Accessories

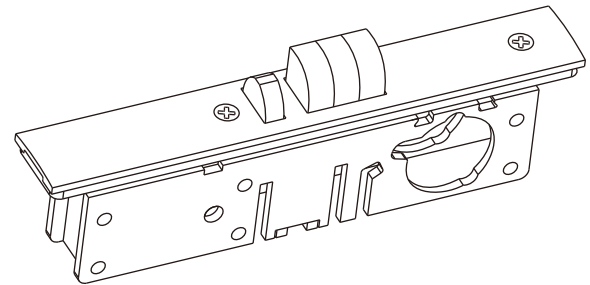
If the door frame is too thick, please use the extension plate. Installation is as the follows.



Extension plate(need order)

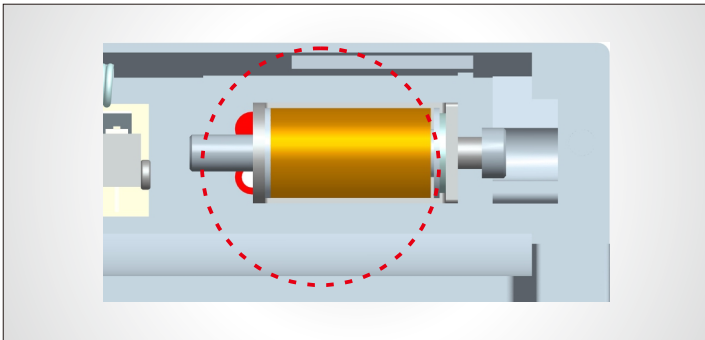
## Options of Mechanical Lock

Suitable for: YS-138-S

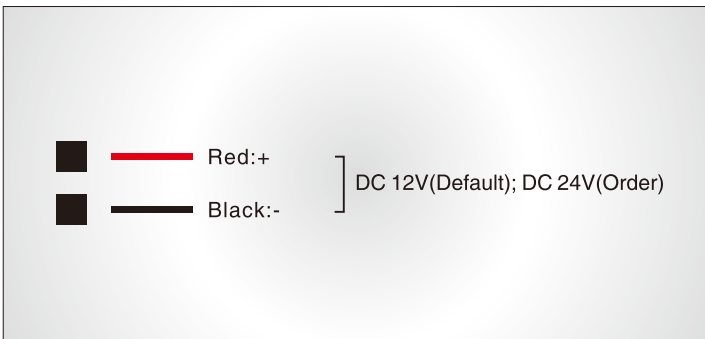


## Specific solenoid valve

Specially designed solenoid valve has the long useful life over 1,000,000 times.

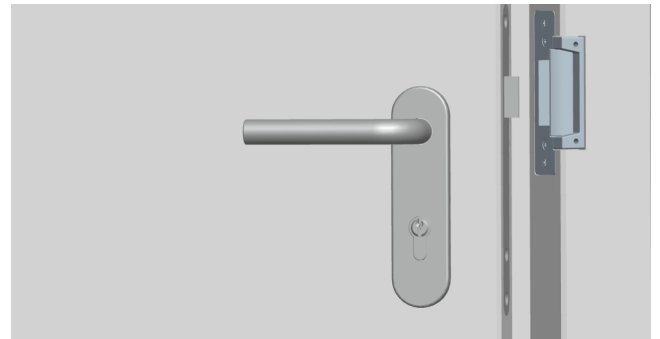


## Signal Output



## Installation Diagram

Entrance will be managed by access control system, key can be used under emergency



## Shenzhen YLI Electric Lock Co.,Ltd.

Room 1605, Block A, Haisong Building, Tairan 9th Road, Futian District, Shenzhen, China  
 TEL:86-755-83489801/02/03/04/05/06 FAX:86-755-83489807  
 Website: www.yli.cn E-mail: yli@yli.cn

